

CTT

Car Turn Table

PROFESSIONAL PARKING SOLUTION PROVIDER!



WE PLAN , DESIGN, MANUFACTURE AND INSTALL...



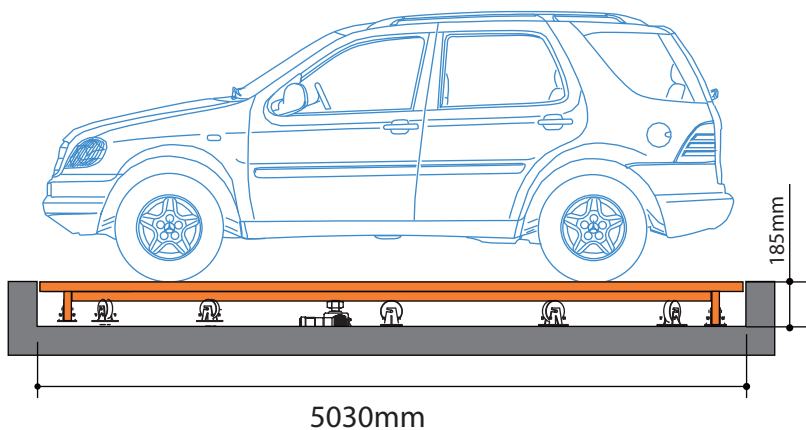
QINGDAO MUTRADE CO., LTD.

CTT Car Turn Table

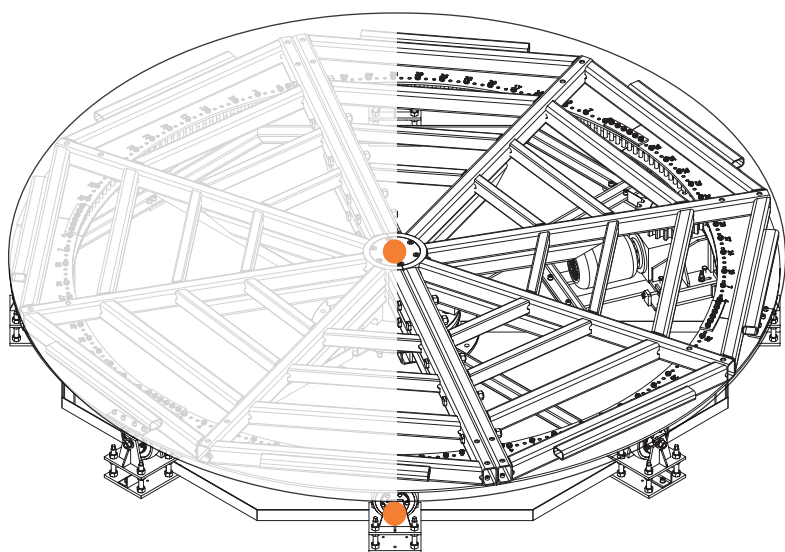
Introduction

Car Turn Table is an affordable driveway solution, which can be installed quickly and efficiently to solve steep driveway issues and small access locations, or for car exhibition to create a dynamic environment to help draw attention to your automotive display. Together with Car stacking solutions, it can be installed where residence have multiple cars and insufficient garage spaces.

Our Car Turn Table adds significant value to your property and provide a safe solution to residences located on busy roads. Different surface finishes are available for your different requirement. Our turntables can be totally customized on diameter, capacity, and coverage of platform to meet individual building requirements.



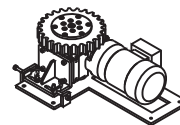
General Parts



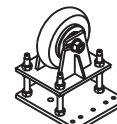
● Center Bearing



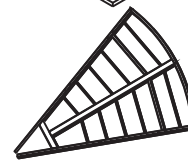
● Motor



● Supporting Wheel



● Structure



Why Use Mutrade Car Turntable?



1. Quality Assurance: we adopt laser cutting technology and precision manufacturing techniques, allowing us to deliver the smoothest and quietest turntables.

Why Use Mutrade Car Turntable?

2. Thinner design:

Our new design makes machine thickness only 185mm

3. Quiet operation:

Thanks to updated design, there is no noise during operation

4. Advanced drive system:

A circle of Pin-Gear mechanism is driven by motor to turn platform smoothly and exactly.

5. Professional package:

Most of parts are package in a wooden box, which is easy for loading and unloading.

6. High customization:

Different diameter, capacity and coverage of platform could be customized according to clients' requests.

Easy maintenance:

A key component to Mutrade Turntable success has been the robust and reliable designs that incorporate easily accessed and changed out components. Quality Parts from reputable suppliers available worldwide are used in our turntables to ensure any issues can be quickly rectified.

Specification

Model	CTT
Drive mode	Electric motor
Diameter	1.2-35m *can be customized according to customers' requirements
Loading capacity	1-20ton *can be customized according to customers' requirements
Motor power	0.75kw *can be customized according to customers' requirements
Voltage	380v, 50hz, 3P *can be customized according to customers' requirements
Turning speed	0.2-2rpm
Turning angle	360 any direction
Min. height	185mm
Finishing	Paint spray
Coverage of platform	Diamond plate / Aluminium alloy plate / Stainless steel plate / Acrylic plate
Operation	Button/ remote control/PLC * can be customized according to customers' requirements

Drawing

CTT

Type	CTT
Diameter	5000mm
Weight	<3000kg
Minimum altitude	185mm
Speed	0.2-1r/min
Kind of drive	Pin tooth
Motor	0.75KW
Mode of operation	Button
Electricity	380V 50Hz 3 phases

工程名称		客户名称	
设计	日期	视图方式	比例
校对			图样代号
审核	标准化	共 张	第 张
工艺	制图	图样名称	
客户确认	批准		

Operation



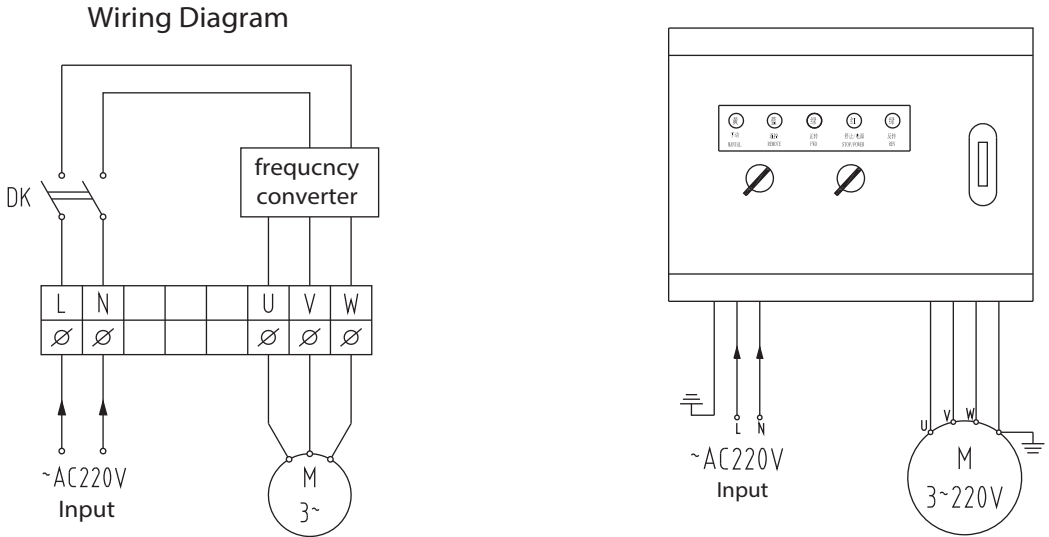
- A vehicle drives onto the tray
- turn power on, and press the motor button to start
- Remote control is optional.

Package and container



Most of parts are packed into a wooden box, which is easy for shipment.

Wiring diagram



Warranty

MUTRADE's parking equipment has a 5 years warranty on structure, and first year warranty on the whole machine. Within the warranty period, Mutrade is responsible for the parts and structure, not including labor nor any other cost unless pre-agreed.

Power units, hydraulic cylinders, and all other assembly components such as slip plates, cables, chains, valves, switches etc, are warranted for one year against defects in material or workmanship under normal use. MUTRADE shall repair or replace at their option for the warranty period those parts returned to the factory freight prepaid which prove upon inspection to be defective. MUTRADE will not be responsible on any labor costs unless pre-agreed. Mutrade will not responsible for the modification or upgrade of the product from the client unless pre-agreed.

These warranties do not extend to...

- defects caused by ordinary wear, abuse, misuse, shipping damage, un-proper installation, voltage or lack of required maintenance;
- damages resulting from purchaser's neglect or failure to operate products in accordance with instructions provided in the owner's manual(s) and/or other accompanying instructions supplied;
- normal wear items or service normally required to maintain the product in a safe operating condition;
- any component damaged in shipment;
- other items not listed but may be considered general wear parts;
- damage caused by rain, excessive humidity, corrosive environments or other contaminants.
- any change or modification made to the equipment without pre-agreed.

These warranties do not extend to any cosmetic defect not interfering with equipment functionality or any incidental, indirect, or consequential loss, damage, or expense that may result from any defect, failure, or malfunction of a MUTRADE product or the breach or delay in performance of the warranty.

This warranty is exclusive and in lieu of all other warranties expressed or implied.

MUTRADE makes no warranty on components and/or accessories furnished to MUTRADE by third parties. These are warranted only to the extent of the original manufacturer's warranty to MUTRADE. Other items not listed but may be considered general wear parts.

MUTRADE reserves the right to make design changes or add improvements to its product line without incurring any obligation to make such changes on product sold previously.

Warranty adjustments within the above stated policies are based on the model and serial number of the equipment. This data must be furnished with all warranty claims.

Maintenance

Keep the equipment clear

Appropriate lubrication and maintenance helps the reliability of the equipment.

Keep the operation box clear and dry.

Q & A

1. Is it necessary to excavate the ground for turntable installation?

It depends on the different purposes. If for garage use, it needs dig the pit. If for car show, it doesn't need, but need add surround and ramp.

2. What is the shipping size for one turntable?

It depends on the diameters you need, please contact Mutrade sales for exact info.

3. Is it easy for delivery and installation?

All turntables are sectional so they are easily taken apart for shipping. Many of the sectional parts will be number or color coded making assembly an easy task. All Mutrade turntables are accompanied by a comprehensive, easy-to-understand operator manual which includes full color diagrams and pictures that illustrate various stages of the assembly.

