

S-VRC

Scissor Vertical Reciprocating Conveyor

PROFESSIONAL PARKING SOLUTION PROVIDER!



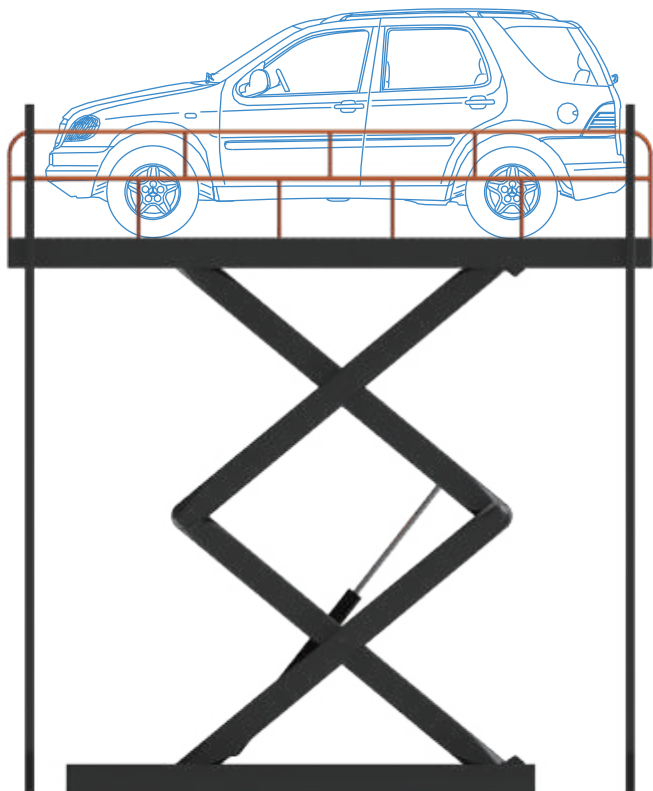
WE PLAN , DESIGN, MANUFACTURE AND INSTALL...

MUTRADE

QINGDAO MUTRADE CO., LTD.

S-VRC

Scissor Vertical Reciprocating Conveyor



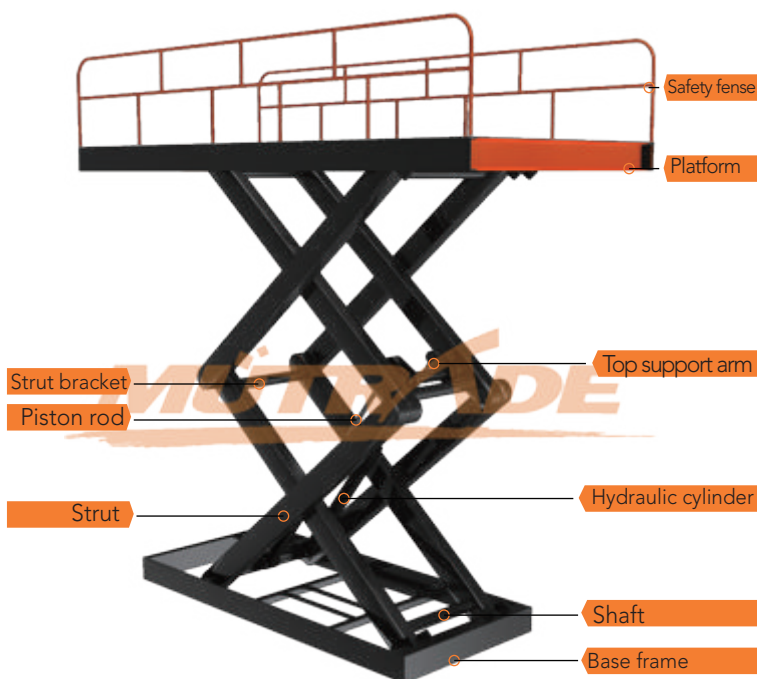
Introduction

VRC (Vertical Reciprocating Conveyor) is a transportation conveyor moving car from one floor to another, it is a highly customized product, which could be customized according to customers' different requirements from lifting height, lifting capacity to platform size!

- S-VRC is a kind of car or goods lift, and industry use vertical table lift
- A foundation pit is needed for S-VRC
- The ground will be flat after S-VRC descend to bottom position
- Hydraulic cylinder direct drive system
- Double cylinder design
- High precision and stable hydraulic drive system
- Automatic shut-off if operator releases the button switch
- Small space occupation
- Pre-assembled structure makes easier installation
- Remote control is optional
- Double levels of platforms are available to have more parking
- Top quality diamond steel plate
- Hydraulic overloading protection available

General Parts

S-VRC demonstration, some of the functions might not be available for a specific model. For more information please contact MUTRADE's sales representative.



Safety Features

Name	Safety Feature	
1 Limited switch	Stop the upper car collide the ceiling	
2 Emergency stop button	Operate the button to stop	
3 Buzzer	Bright during operation	
4 Guide rail	Four rails in the four corners to guide the operation	
5 Relief valve	prevent overloading	
6 24V DC	Safety operation of button	
7 Photocell sensor	Avoid car over length or accidently entrance of person & car	
8 Double braided steel mesh around falling into the pit or the lift	Prevent persons from lower platform during the lift moves up and down	
9 Safety fence on platform	Protect driver to walk out of platform safety	
10 Anti-falling	electromagnet (optional)	

Note:from No.1 to No.6, they are the standard features; from No.7 to No.10, they are the optional features.

Specifications

Model	S-VRC
Lifting capacity	2,000-10,000 kg*can be customized according to your requirement
Lifting height	3,000-15,000mm*can be customized according to your requirement
Platform length	2000mm-6000mm*can be customized according to your requirement
Platform width	2000mm-5000mm*can be customized according to your requirement
Platform material	Diamond steel sheet (standard) / 4mm Aluminum steel sheet (optional)
No. of level	according to your requirement
Drive mode	Hydraulic
Operation	button switch (standard) / remote controller (optional)
Power pack	5.5 kw hydraulic power pump
Lifting speed	4m/min
Finishing	Paint spray
Color	Caccording to your requirement

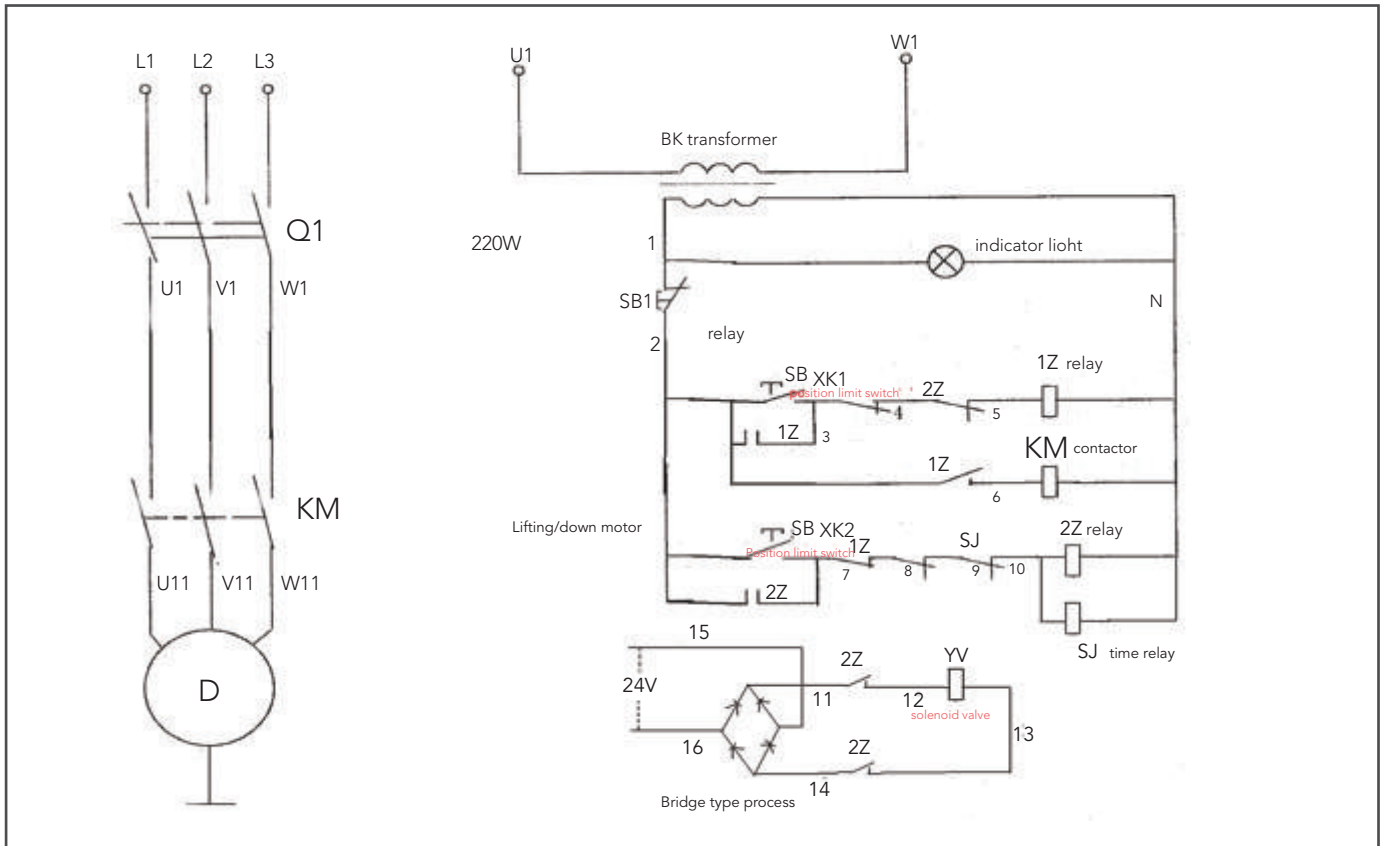
Reference Drawing

	Type	S-VRC
Parking	Parking Vehicles	1
	Single vehicles weight (kg)	<4000kg
Size of car	Length	5000mm
	Width	1850mm
	Height	1550/2050mm
Pump motor	4KW	
Lifting Speed	3.5m/min	
Lifting Height	300mm	
Platform Dimension	5200mmX2200mm	
Electricity	380V 50Hz 3 phases	

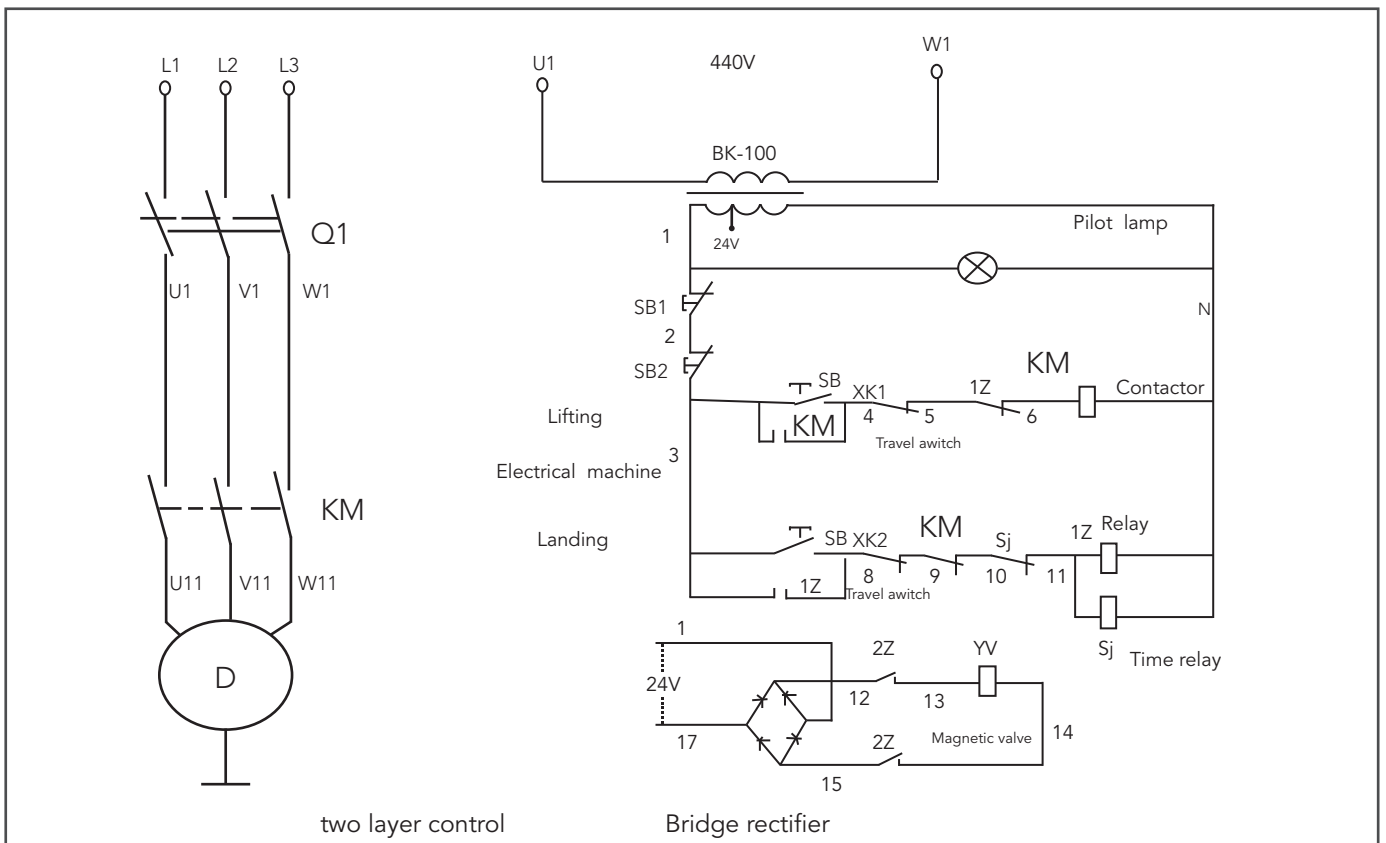
工程名称			客户名称		
设计	日期		视图方式	比例	图样代号
校对					
审核	标准化		共 张	第 张	图样名称
工艺	制图				
客户确认	批准				

● Drawing above is just a sample, for specific project please contact our sales to confirm exact specifications and drawing.

Circuit diagram



Circuit diagram



Maintenance and Service

(1) Keep clean

Keep this automobile lift clean. Before cleaning, turn power off to assure safety.

(2) Keep the workplace clean. Too much dust will wear the parts and shorten their service life.

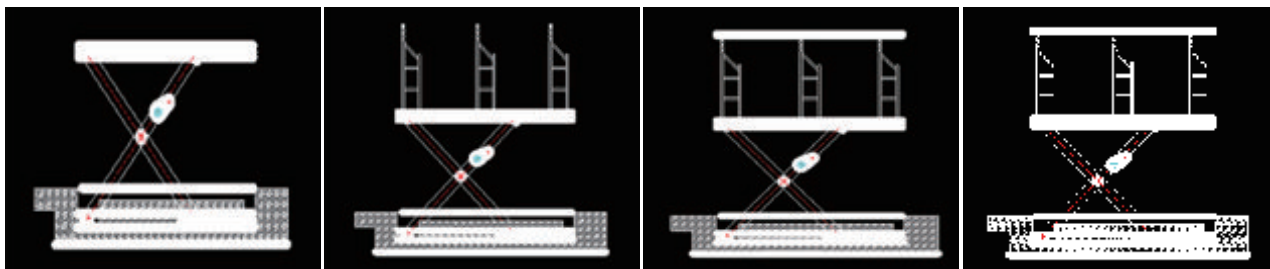
(3) Check the chains

Check the chains are in good conditions. In case of chain failure, repair it immediately to prevent an accident.

(4) Maintenance of the hydraulic system

Cleaning and oil replacement

After three months' use of this automobile lift, clean the hydraulic system and replace 30# hydraulic oil. After that, clean the hydraulic system and replace 30# hydraulic oil once every six months.



Packaging

Standard packaging:

At MUTRADE, we offer professional steel frame packaging for easy and stable container load. The main structure of S-VRC has be pre-assembled in our plant, and one package will contain all the parts.



Q & A

1. Is this product can be used indoor or outdoor?

S-VRC can be installed both indoor and outdoor as long as the site dimensions are enough.

2. What is the pit dimensions needed for S-VRC?

The dimensions of pit depends on platform size and lifting height, our technical department will provide you the professional drawing to guide your excavation.

3. What is the surface finishing for this product?

It's paint spray as standard treatment, and optional aluminum steel sheet can be covered above for better water-proof and looking.

4. What is the power requirements? Is single phase acceptable?

Generally speaking, a 3-phase power supply is a must for our 4Kw motor. If the usage frequency is low (less than one movement per hour), a single phase power supply can be used, otherwise it may lead to motor burnt out.

5. Can this product still operate if electricity failure happens?

Without electricity the FP-VRC cannot work, so a back-up generator may be needed if electricity failure happens often in your city.

6. What is the warranty?

It's five years for main structure and one year for moving parts.

7. What is the production time?

It's 30 days after prepayment and final drawing confirmed.

8. What is the shipping size? Is LCL acceptable, or it must be FCL?

As S-VRC is a fully customized product, the shipping size depends on the specifications you need.

As the structure of S-VRC is pre-assembled, the package will take most space of container, LCL cannot be used. 20 feet or 40 feet container is necessary as per the platform length.

Reference Pictures

