



Mutrade Industrial Corp.

9th Floor, Building B, Zhongtie Qingdao Square
139 Wuxing Rd., Shibei District
Qingdao 266000, China

Tel: +86 532 5557 9606
inquiry@qdmtrade.com
www.mutrade.com

 facebook.com/qdmtrade



Qingdao Hydro Park Machinery Co., Ltd.

(Production Center)
106 Haier Rd., Jimo District
Qingdao 266200, China

Tel: +86 532 5557 9608
inquiry@hydro-park.com
www.hydropark.com

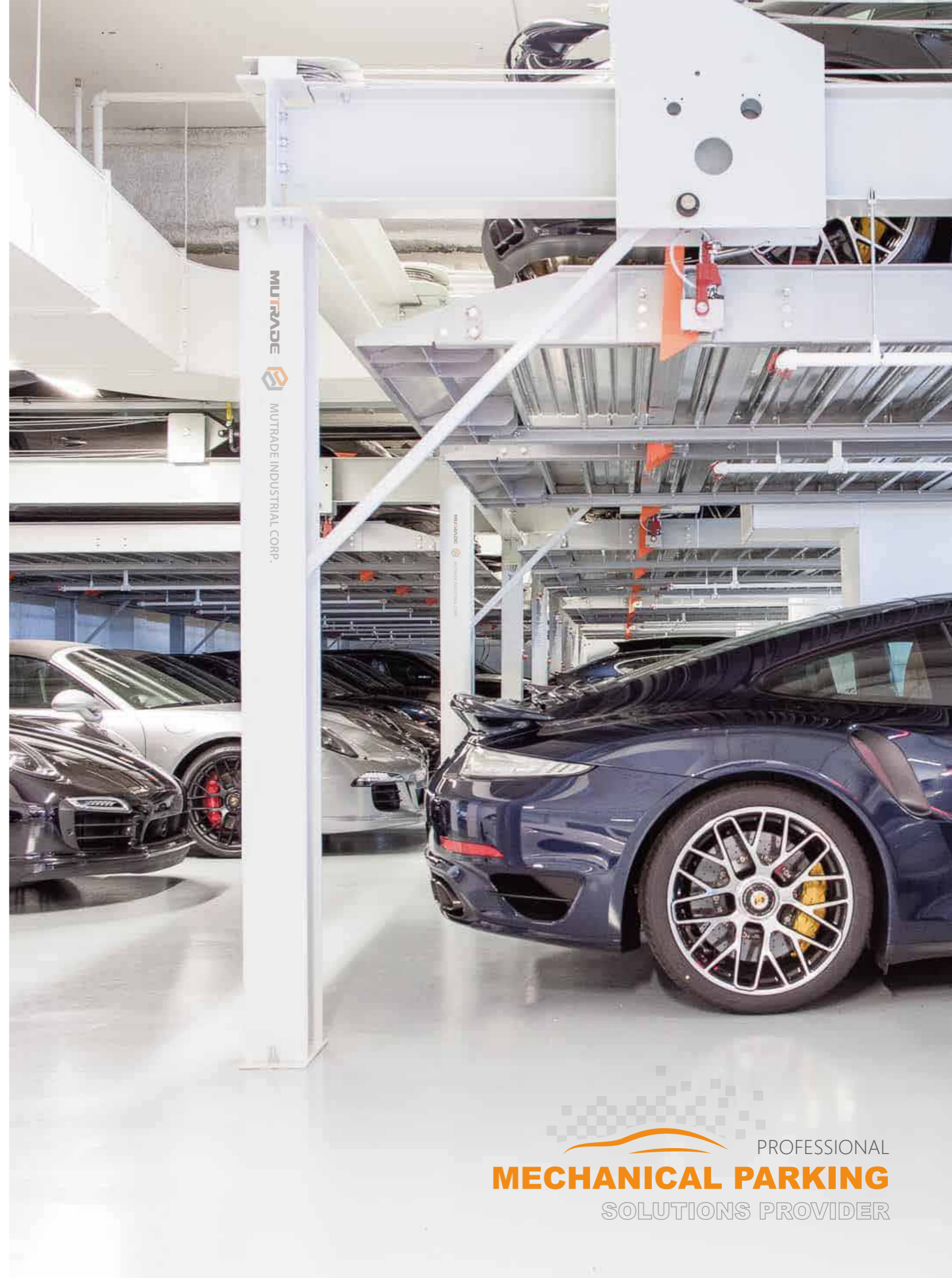


EASY
PARKING



EASY
LIFE

MUTRADE  MUTRADE INDUSTRIAL CORP.





Manage the space Empower your parking

Comfortable environment with Mutrade

There have never been as many cars in the world as there are today. Two or even three cars often "live" in one family, and the issue of parking is one of the most acute and urgent in modern realities. Each of us is periodically faced with a situation when you need to find a parking place near your home, work place, shopping center, cultural site, etc. But more often than not you have to spend a lot of time to find a suitable one.

For more than 12 years, Mutrade introduces variety of parking solutions into projects in more than 90 countries around the world, and Mutrade makes it possible to manage urban traffic more efficiently and make easy life for citizens by providing easy parking.

The solution that works only for you

Mutrade guarantees a professional approach to the implementation of your parking automation project, all parking solutions are selected by professionals in the shortest possible time, combining concepts and requirements of our customers. Our strategy is to achieve the concrete benefits of our customers while minimizing or preventing negative environmental impacts as much as possible throughout the life cycle of our products.

Not only a parking space, but also confidence in its safety

Thanks to comprehensive knowledge, many years of experience, and the full resources, Mutrade' customers receive the high-quality and the most efficient parking solutions that meet the diversified demands of modern life. Through a rigorous design and manufacture process, all our products are distinguished by their reliability, safety, flexibility and ergonomics. And each project is carried out in accordance with the highest requirements of us - fast, competent and professional.

Green, in step with the times

Thoughtfully designed to minimize human intervention, reduce parking time and improve parking safety, Mutrade parking systems have become a kind of breakthrough and made it possible to increase the level of comfort.

Green parking, separate serious challenge to the growth of smart parking in mega cities today is more than a necessary urban infrastructure element. Smart parking systems reduce traffic congestion, lower vehicle emissions & fuel consumption, and shorten travel time and waiting time, which all lead to contribution to a more sustainable society. Intelligent, compact parking systems developed by Mutrade not only allow you to quickly and easily park vehicles, but also positively affects the environment.

Mission

Mutrade introduces its mechanical car parking equipment since 2009, and is focusing on development, design, manufacture and installation of various car parking solutions to increase more parking spaces in limited areas all over the world.

Plan / Design / Manufacture / Install

Innovation

From initial idea to finished concept, our R&D team work together to bring the most innovative and excellent products to our global clients in the best possible way.

Wide Application / Easy Operation
Low Maintenance / Minimal Emission

Solution

Either for home garage or commercial parking lot, for 2-level or multi-level parking, there's always a plan for you, a tailor-made solution selected by our professionals to your needs.

Private Parking / Car Storage
Commercial Parking

120⁺
Experienced staff

100⁺
Exporting countries

40⁺
Professional qualifications and certificates

Passion in Parking

Our vision is to become the leader in mechanical car parking solution providers by continuously providing proper solutions, reliable products and professional services.

For all the people who work in the business, Mutrade, as a reliable and professional partner in China, is the one that you can NOT miss!

2000⁺
Max production capability in parking spaces

1300⁺
Satisfied customers worldwide up to date

9000⁺
Parking spaces installed annually

Precision

Qingdao Hydro Park Machinery Co., Ltd. is the subsidiary company and production center built by Mutrade to supply stable and reliable mechanical parking equipment.

Advanced technologies, higher quality materials, more precise manufacture processing, stricter quality control are adopted to keep all Mutrade products updated for better user experience.



CE Conformity
DIN EN 14010



TABLE OF CONTENTS



01 Parking Lifts

Hydro-Park 1132	P10
Hydro-Park 1127 & 1123	P12
Starke 1127 & 1121	P14
TPTP-2	P16
SAP	P18
SPP-2	P19
Hydro-Park 2236 & 2336	P20
FPP-2 & 2L	P22
FPP-2T	P23
Hydro-Park 4127	P24
Hydro-Park 1118	P26
Hydro-Park 5120	P27

02 High Stackers

Hydro-Park 2525 & 2625	P30
Hydro-Park 2725	P32
Hydro-Park 3320	P33
Hydro-Park 3230	P34
Hydro-Park 3130	P36

03 Pit Solutions

Starke 2127	P38
Starke 2227	P40
Starke 2327	P42
Hydro-Park 7220	P43
PFPP-2/3	P44

04 Puzzle Parking Systems

BDP-2	P48
BDP-3	P50
BDP-4	P52
BDP-5	P54
BDP-6	P56
BDP-1+1	P58
Starke 3121 & 3127	P59

06 Parking Platforms

BDP-1	P78
S-VRC	P80
S-VRC-2	P82
FP-VRC	P84
CTT	P86

05 Smart Parking Systems

ARP Series	P62
ARP-S Series	P64
ATP Series	P66
MLP Series	P68
MSSP Series	P70
CTP Series	P72
HSP Series	P74

Parking Lifts



What is the easiest way to have more spaces for parking? The answer lies in parking lifts, the best and most cost-effective solution to immediately double your parking capacity. A wide range of options are offered to fit various installation scenarios, either indoor or outdoor, plenty or insufficient headroom, catering sedans or SUVs, and for home garage or commercial parking. Simplified structural design brings least construction cost, easiest operation procedure and extended pleasure of parking.

Hydro-Park 1132 | for heavyweights

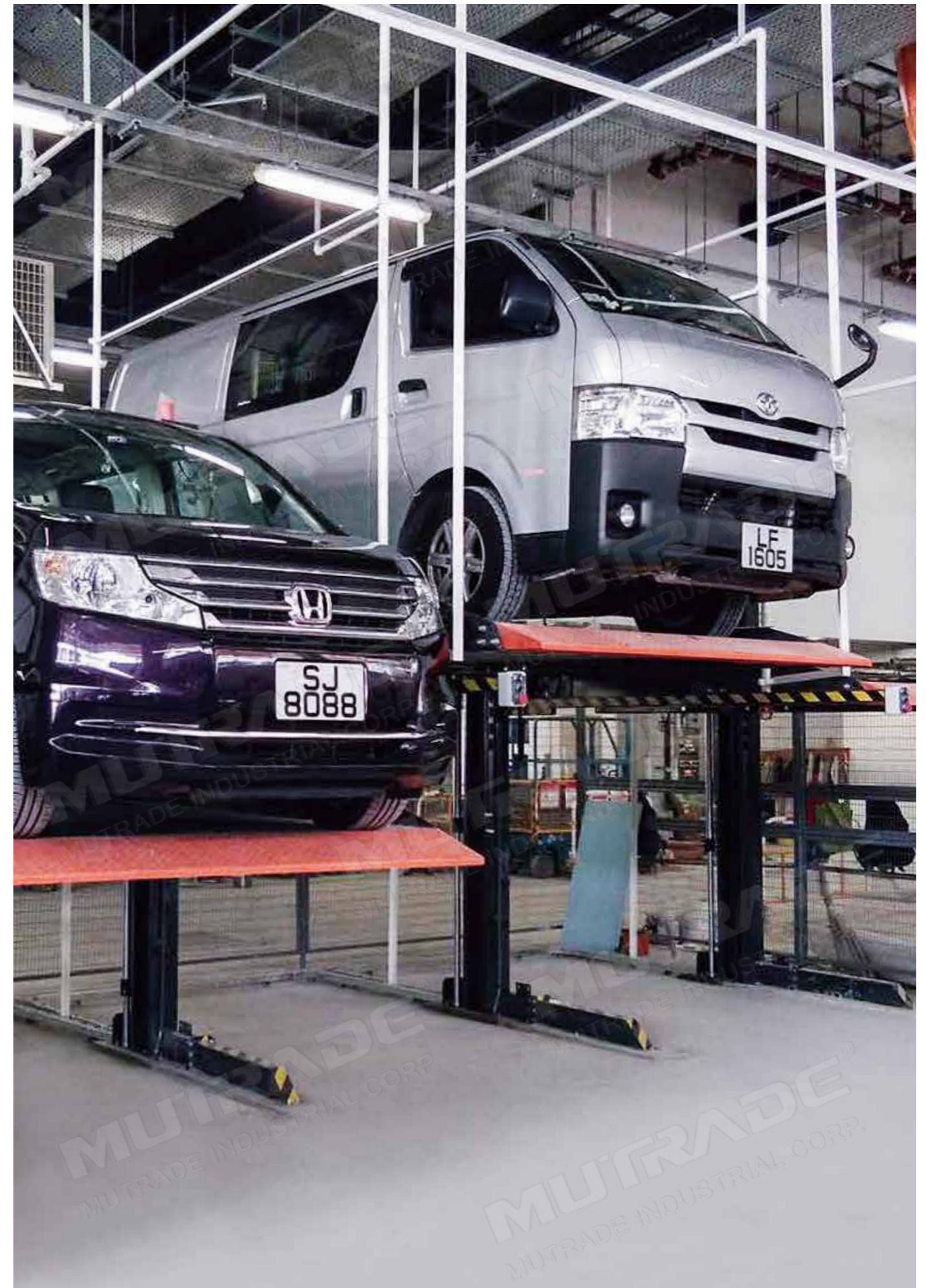
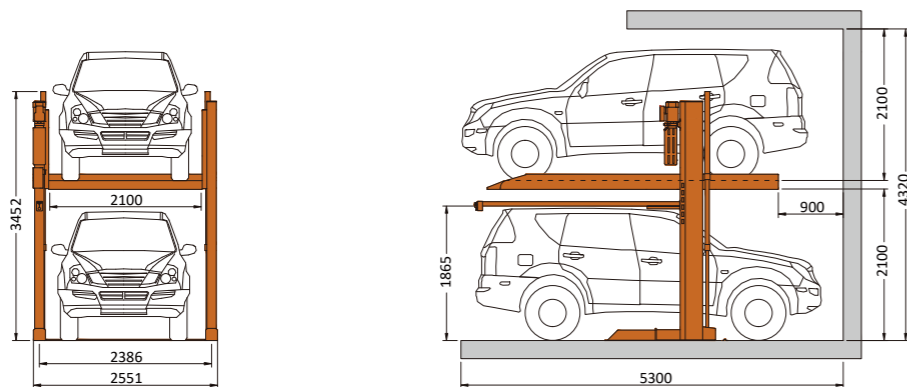
Do you find the idea of two-post parking lifts appealing but most of whom don't have sufficient capacity for those heavy vehicles? This lift comes with the biggest capability that a two-post lift could have for parking. Its robust and stable design, supported by double hydraulic cylinders, offers 3200kg capacity to stack two SUVs, vans, MPVs, pickups, etc. on top of each other. Modular installation makes it possible to have more parking spaces in a tight area, either indoor or outdoor installations.

Specification

- Direct drive by double cylinders
- For dependent parking
- Single platform for 2 vehicles
- Enhanced structure allows 3200kg lifting capacity
- Vehicle height: up to 2050mm on ground floor
- Usable platform width: 2100mm as standard, up to 2700mm
- Automatic shut-off when operator releases key switch
- Platform stoppable at different heights to fit various vehicle & ceiling heights
- Auto lock release makes operation easier
- 24v control voltage avoids electric shock
- Sharing post feature allows tandem installations in minimum space
- Galvanized waving platform, high-heel friendly
- Fine surface coating supported by Akzo Nobel powders



Dimensions



Hydro-Park 1127 & 1123 | widely adaptable

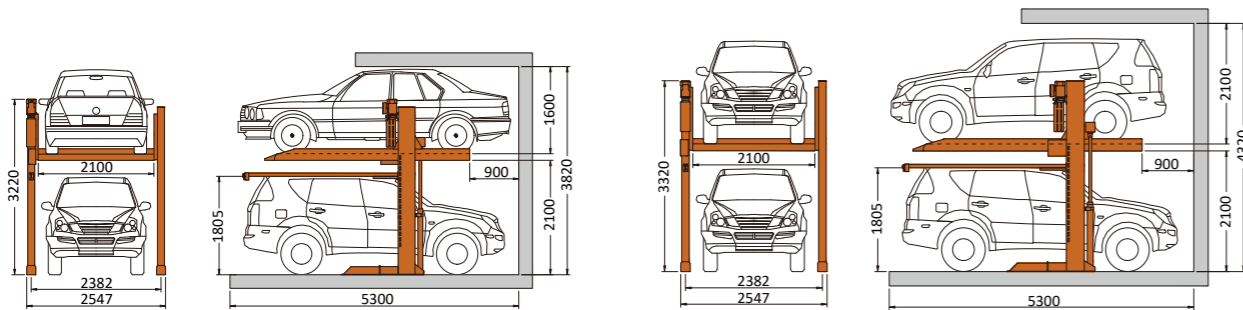
Some key features like cost-effective, simple construction, safe & comfort parking, etc. have made this parking lift popular and the best seller across years. The max lifting capacity of 2700kg covers 90% common vehicle weights, providing a simple way to create 2 dependent parking spaces above each other. They are widely used for valet parking, car storage and other commercial parking scenarios with attendant, either it's indoor or outdoor. Operation can be easily done by turning the key switch in front.

Specification

- Faster lifting speed with single cylinder
- For dependent parking
- Single platform for 2 vehicles
- Platform load capacity: 2300kg or 2700kg
- Vehicle height: up to 2050mm on ground floor
- Usable platform width: 2100mm as standard, up to 2500mm
- Automatic shut-off when operator releases key switch
- Stoppable at different heights to fit various vehicle & ceiling heights
- Auto lock release makes operation easier
- 24v control voltage avoids electric shock
- Sharing post feature allows tandem installations in minimum space
- Galvanized waving platform, high-heel friendly
- Low maintenance cost
- Fine surface coating supported by Akzo Nobel powders
- Free-standing design (optional) requires minimized construction cost
- Proven quality tested by TUV Germany; CE compliant

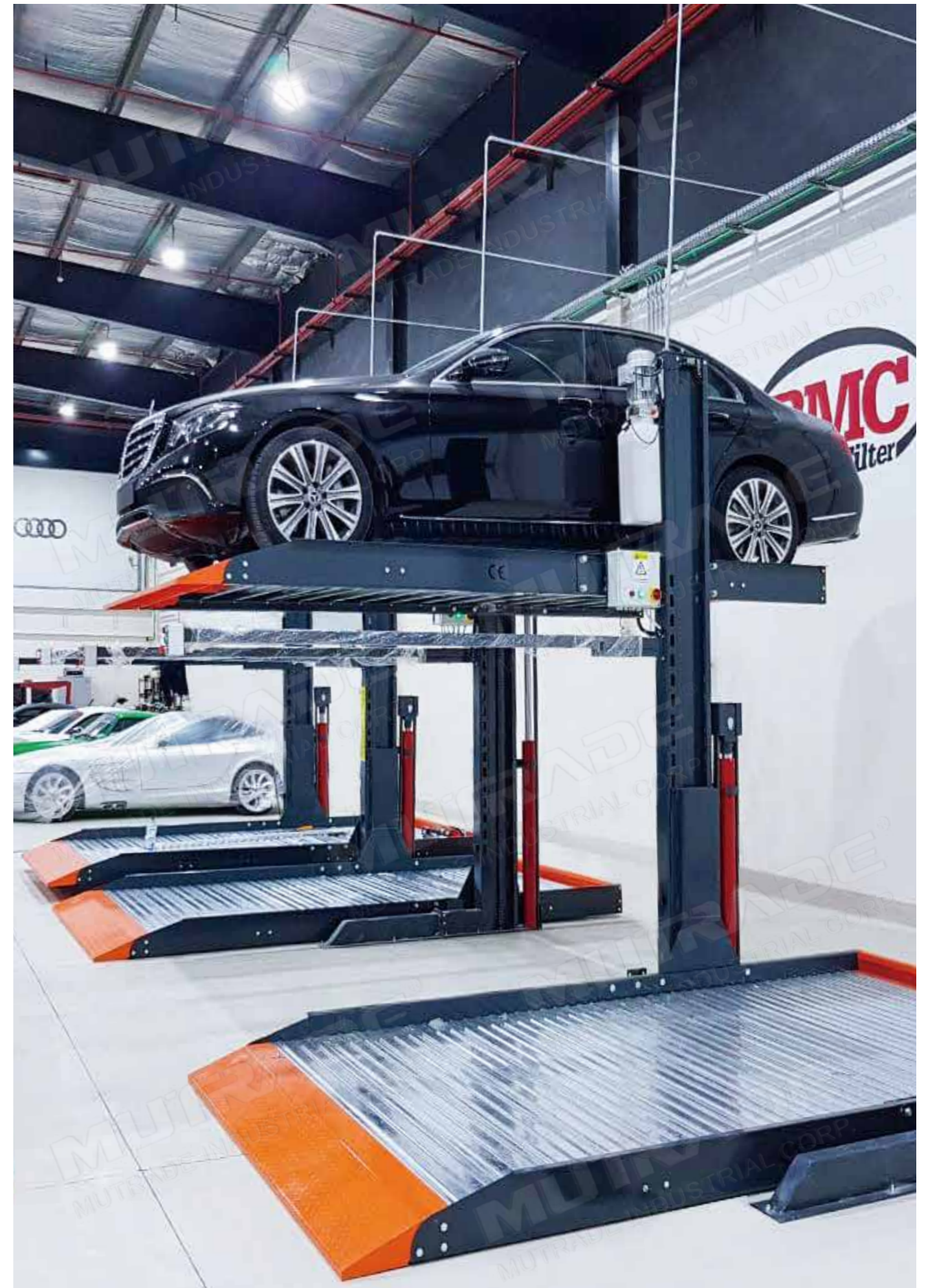


Dimensions



Hydro-Park 1123

Hydro-Park 1127



Starke 1127 & 1121 | not just wider

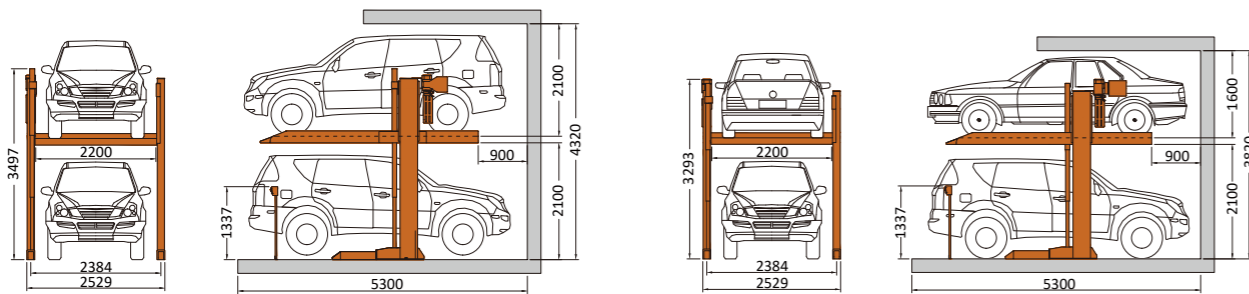
Two-post type with entire new structure and extended platform width - make use of every centimeter of parking space profitably and conveniently with Starke 1121 & 1127!
 As the new high-end parking lifts, they come with front-arranged stronger Germany cylinder and more flexible control methods, as well as plenty of other improvements in details. Post sharing feature is available to make full use of the land, and it's also ideal for outdoor installation.

Specification

- Whole-new structural design, wider, stronger & safer
- Platform width: 2200mm as standard, and up to 2500mm
- Direct drive by German type single cylinder
- Single unit for 2 cars
- Platform load capacity: 2100kg or 2700kg
- Ground car height: up to 2050mm
- Platform stoppable at different heights to fit various vehicle & ceiling heights
- Auto lock release makes operation easier
- 24v control voltage avoids electric shock
- Sharing post feature allows tandem installations in minimum space
- Galvanized waving platform, high-heel friendly
- Low maintenance cost
- Fine surface coating supported by Akzo Nobel powders
- Proven quality tested by TUV Germany; CE compliant

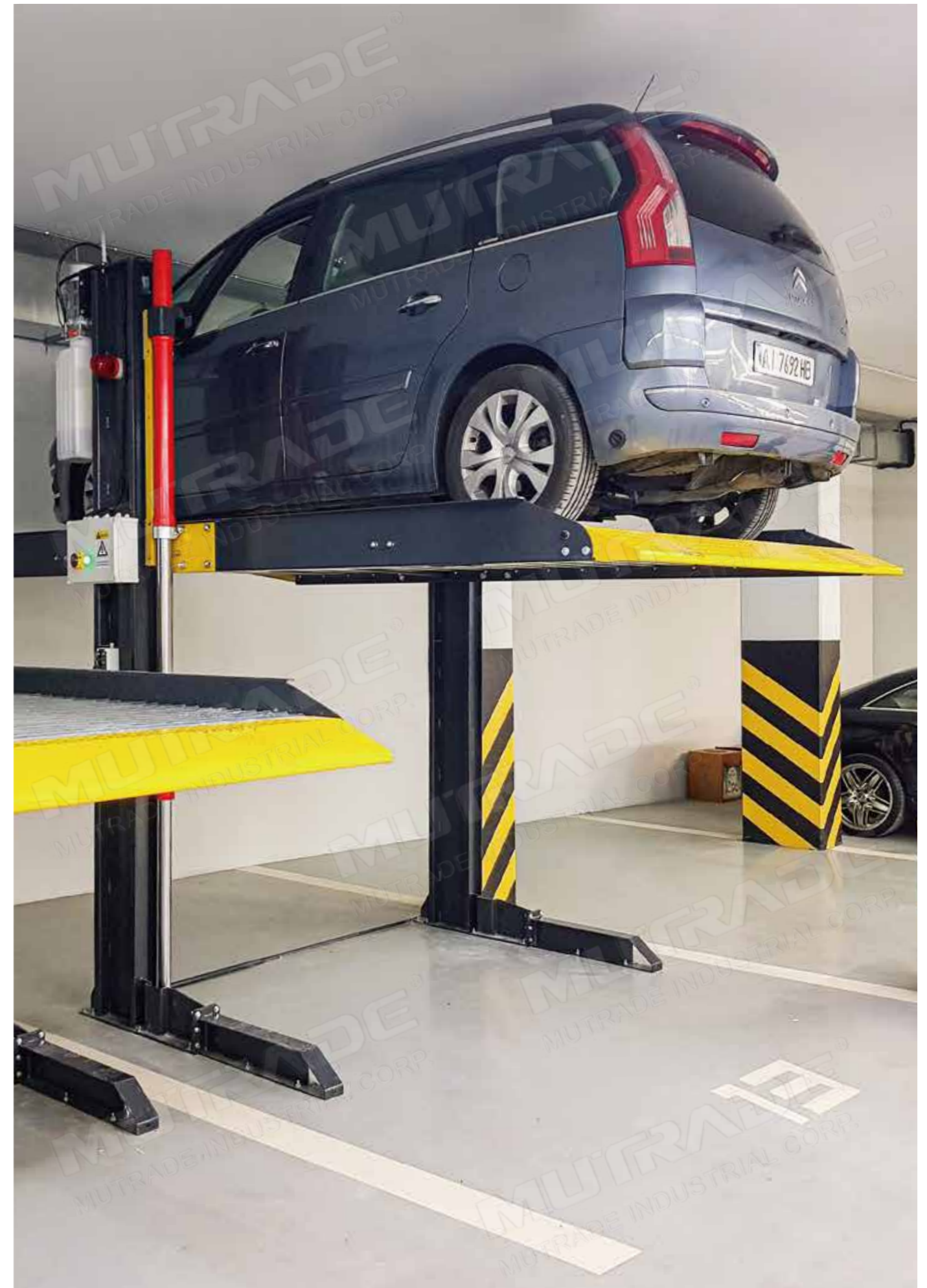


Dimensions



Starke 1127

Starke 1121



TPTP-2 | tilt to fit in

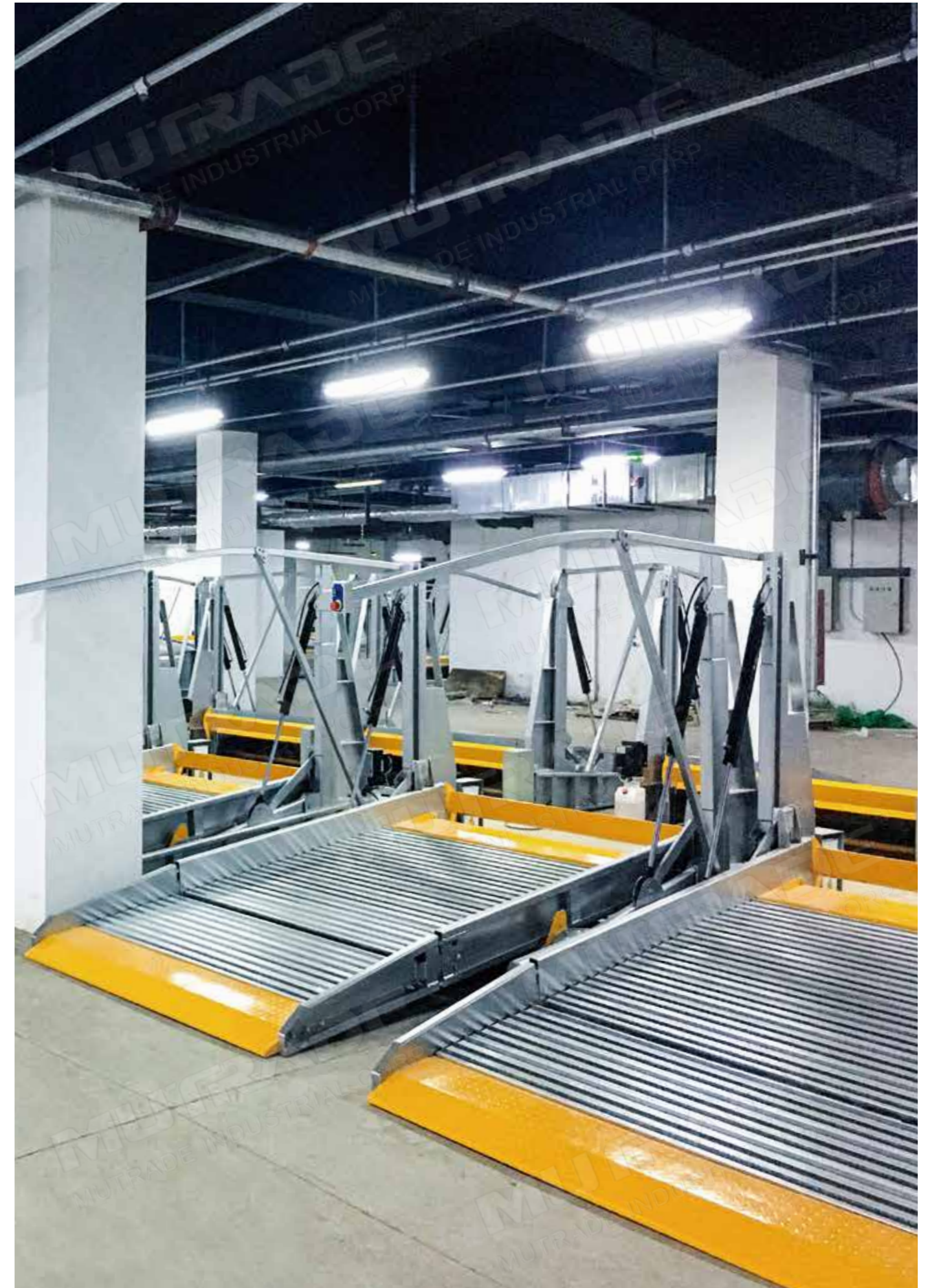
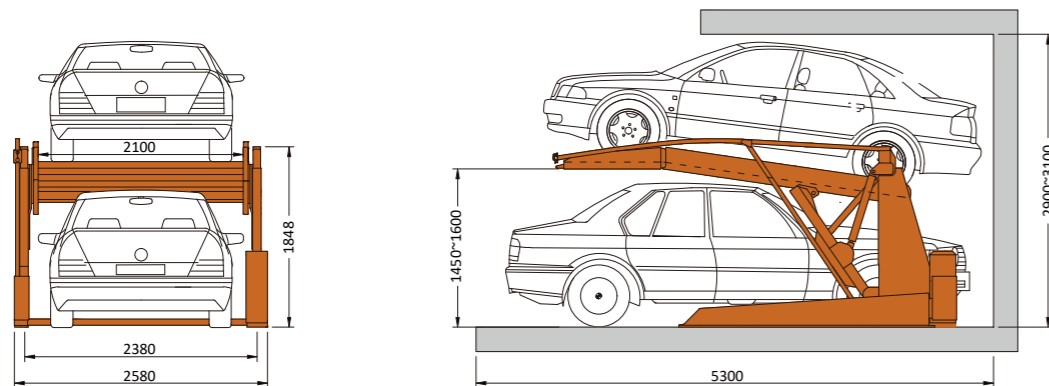
If the ceiling height of your parking space is not sufficient, all you need to do is to try tilting the vehicle on top to fit in. It has never been so easy to expand the most limited parking space until the tilting parking lift, even in a place with restricted height. TPTP-2 allows you to make the most of your low-ceiling garage by parking 2 sedans on top of each other. Adjustable platform angle & stopping height make it flexible with various sedans at different ceiling heights.

Specification

- Doubled parking spaces for sedans
- For dependent parking
- Minimal ceiling height: 2900mm
- Ground car height: <1550mm
- Usable platform width: 2100mm as standard, up to 2300mm
- Vehicle weight: 2000kg on the platform
- Automatic shut-off when operator releases key switch
- 24v control voltage avoids electric shock
- Low maintenance cost, proven hydraulic technology
- Galvanized platform, high-heel friendly
- Fine surface coating supported by Akzo Nobel powders



Dimensions



SAP | a smart one

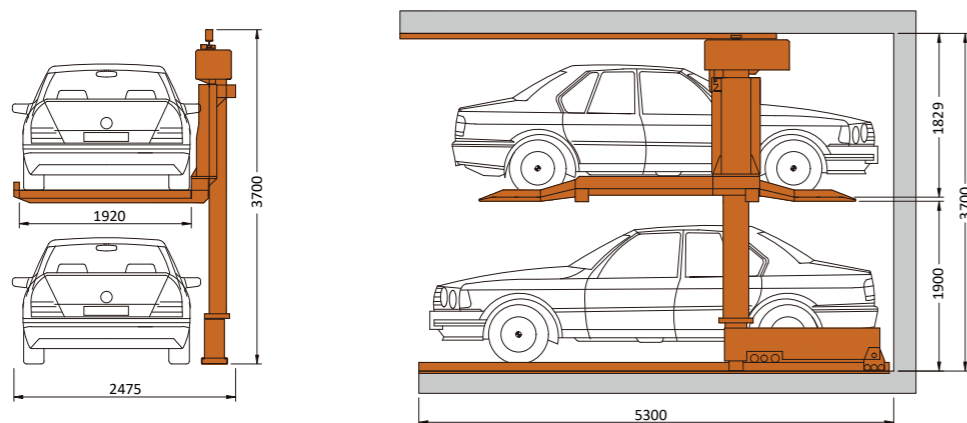
The single-post parking lift with a rotating platform is a new generation of mechanized parking equipment, also known as "non-avoidance parking". The biggest feature is the implementation of independent parking, and at the same time, it can effectively eliminate such drawbacks as reversed parking to the garage, long-time waiting for park and retrieval, and low efficiency. When parking a car to the upper level, the user drives the car onto the platform and the system begins to rise, rotate and slide the platform to complete the process, while the lower-level vehicle does not need to move at all.

Specification

- For independent parking
- Single unit for 2 cars
- Platform load capacity: 2000kg
- Ground car height: <1800mm
- Usable platform width 1920mm
- Motor drive with fast lifting speed
- Automatic shut-off when operator releases key switch
- Remote control optional
- Advanced control with PLC program
- Easy access to the parking platform from driving lane



Dimensions



SPP-2 | a neat solution

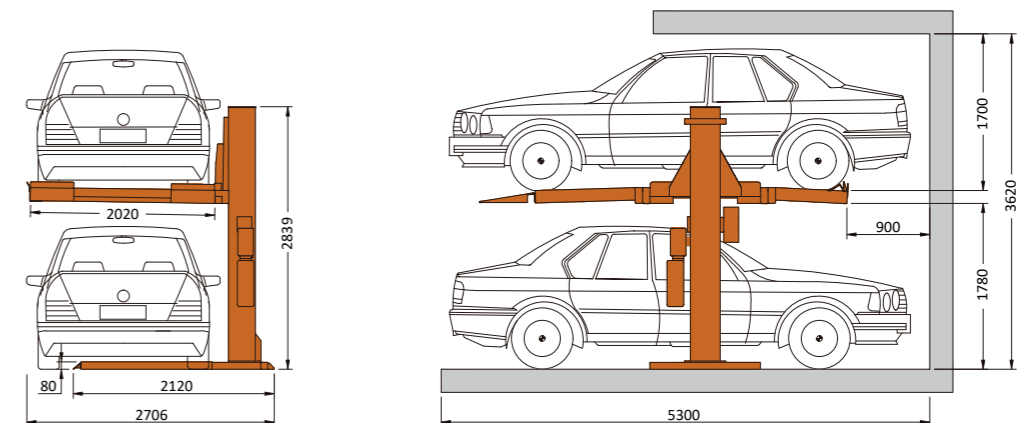
When you need to significantly improve existing parking capacity of your garage with a minimal footprint, the answer could be single post. The compactness of this parking lift is ensured by the support of only one post, which has a reliable self-standing design that does not require wall mounting. SPP-2 is not only the efficiency of increasing parking spaces by 2 times while reducing the occupied space, but also the convenience of the parking process: it is never a problem to open the car door freely.

Specification

- For dependent parking
- Free opening of car doors
- Single unit for 2 cars
- Platform load capacity: 2000kg
- Ground car height: <1730mm
- Usable platform width: 2000mm
- Ramps interchangeable at two directions
- Ideal for applications on corridors and aisles
- Mechanical locks bring superior safety
- Automatic shut-off when operator releases key switch
- 24v control voltage avoids electric shock
- Low maintenance cost
- Surface treatment: powder coating



Dimensions



Hydro-Park 2236 & 2336 | more than 4 posts

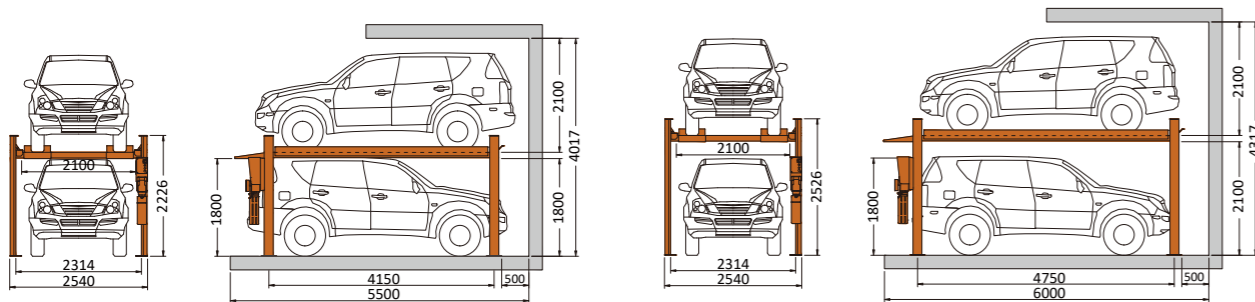
The best option for stacking 2 heavy-duty vehicles in garage or open area. Unlike the common 4-post car lift that are used for car service, Hydro-Park 2236 & 2336 have been specially developed to fulfill the purpose of parking, providing two stopping heights with lots of modifications and improvements that make it capable. Electric auto release function improves efficiency, the upgraded anti-falling system assures superior safety, and complete platform including wing plates provides full protection of the parked car on the runway. Easily removable panels in the center still make it possible to use as a car service lift in need.

Specification

- More reliable with 4 posts
- For dependent parking
- Platform load capacity: 3600kg
- Ground car height: <1750mm or 2050mm
- Usable platform width: 2100mm
- Hidden single hydraulic cylinder
- Complete platform with cover plates at center
- Protective wing plates at sides
- Multi-position safety locks on each post
- Automatic lock release
- Protective device against loosening and breaking of steel rope
- Control panel & power pack can be relocated
- Low wear, proven hydraulic technology
- Fine surface coating supported by Akzo Nobel powders



Dimensions



Hydro-Park 2236

Hydro-Park 2336



FPP-2 & 2L | classic solution

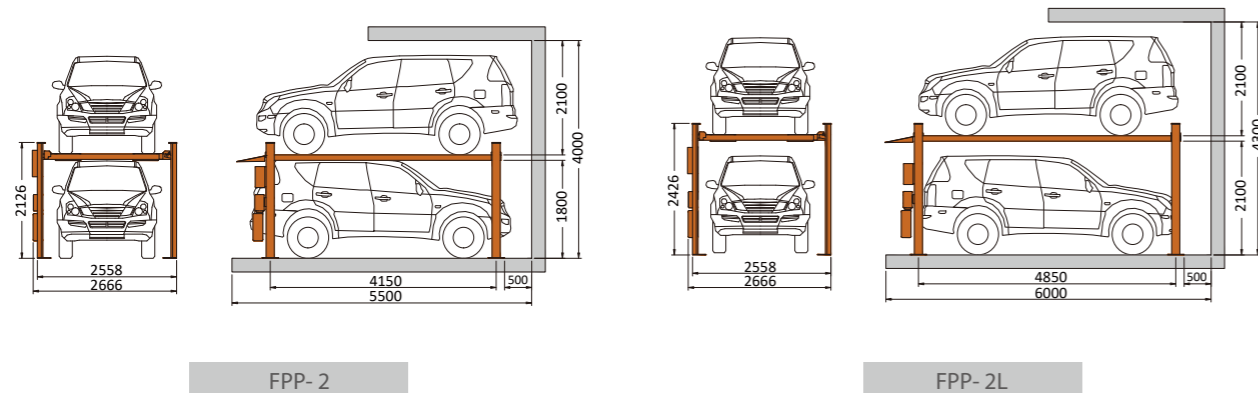
A universal solution for simple car service and storage of heavy-duty SUVs that primarily designed for home use. They share the key features of easy installation and manipulation, reliable manual unlock system, and simplified runway design. By providing two parking spaces on top of each other, this parking lift can be used for both parking and servicing. As a valet parking equipment, user needs to clear the ground level to get the higher level car down.

Specification

- Reliable structure with 4 posts
- For dependent parking
- Classic platform designed with 2 runways
- Lifting capacity: 2700kg or 3600kg
- Ground car height: <1750mm or 2050mm
- Wide drive-through
- Hidden single hydraulic cylinder
- Manual lock release
- Low wear, proven hydraulic technology
- Surface treatment: powder coating



Dimensions



FPP-2T | twins for four cars

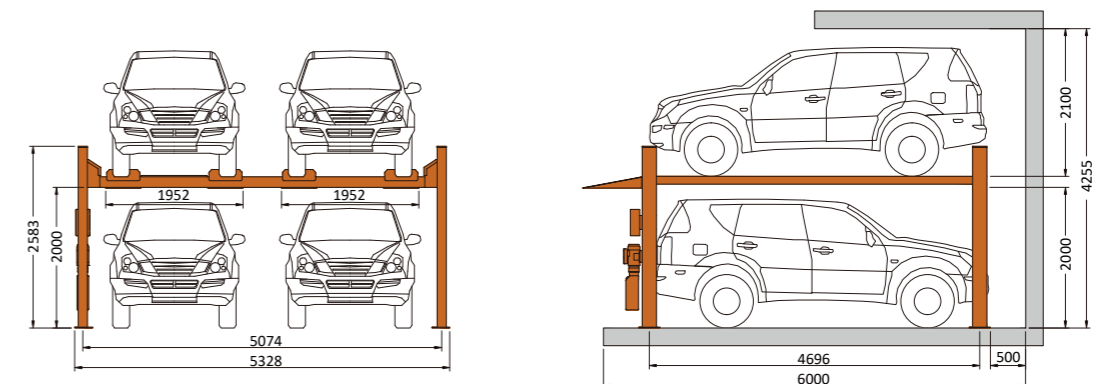
They say more is better than less. Confirmation of this comes with our four-post twin platforms parking lift. FPP-2T, "2 above + 2 below" parking spaces with a capacity of 4 tons together, provides maximum opportunities for parking & storing up to 4 cars. Multiple safety devices ensure reliable and stable operation and the elimination of middle posts makes it a great space-saver.

Specification

- Double-wide design for 4 vehicles
- Dependent parking
- 4000kg overall lifting capacity
- Ground car height: <1750mm
- Hidden single hydraulic cylinder
- Increased sheave diameter reduces cable fatigue
- Mechanical anti-falling locks allow multiple stopping heights
- Low wear, proven hydraulic technology
- Position of control panel is adjustable
- Protective device against loosening and breaking of steel rope
- Surface treatment: powder coating



Dimensions



Hydro-Park 4127 | max 6 cars in one

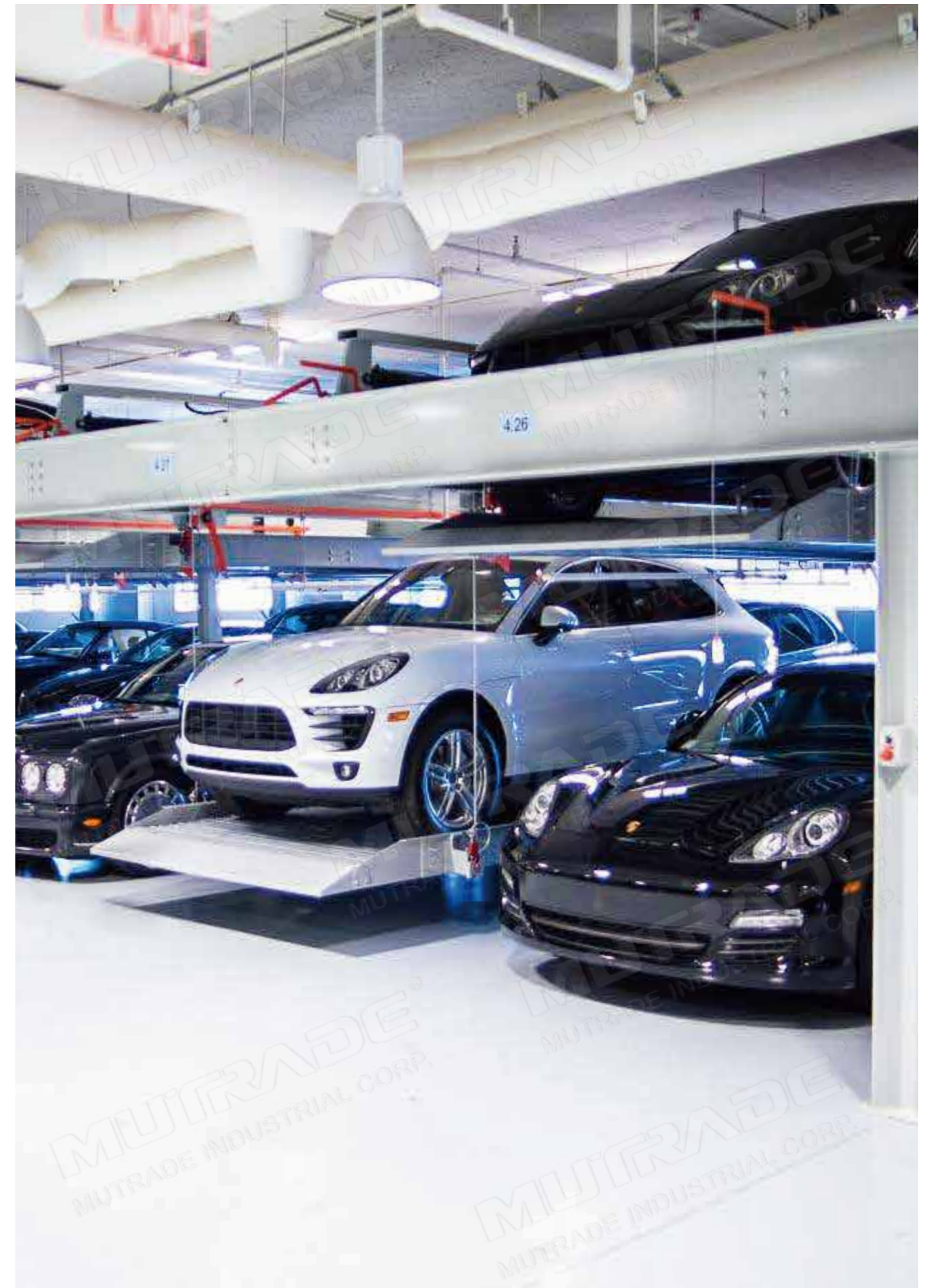
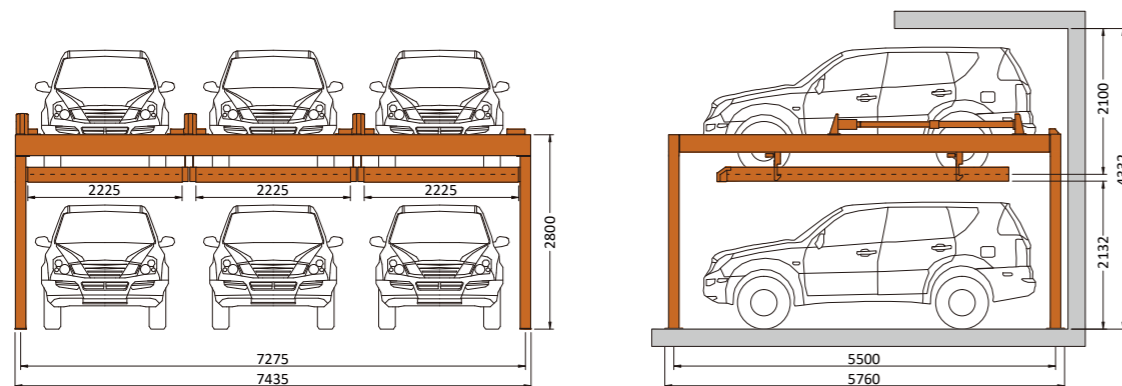
Can parking lifts go vertical and horizontal at the same time? The answer is Hydro-Park 4127, two-level multi-platform parking lift that offers 4 or max 6 parking spaces. It's much more space-efficient than multiple lifts due to the absence of columns between the platforms. Each platform in the system is independent from each other, making the parking process as convenient as possible. It's also featured by large capacity, fast speed and high safety that assured by commercial grade power pack, robust hydraulic cylinder and strong steel cables.

Specification

- Double or triple-wide system optional
- Easier & safer access of ground vehicles
- 2500kg capacity per platform
- Ground car height: max 2050mm as standard
- Full-width platform of 2200mm
- Rugged posts & beams construction with H steel
- Hydraulic cylinder lifting mechanism per platform
- Compact structure with smaller cover area
- Fast lifting speed of 8m/min
- Intelligent PLC software control
- Easy operation with IC card or manual input
- Customizable power pack location
- Motorized system is optional (capacity 2000kg)
- Fine surface coating supported by Akzo Nobel powders
- Dimensions and specs customizable on request



Dimensions



Hydro-Park 1118 | small and yet great

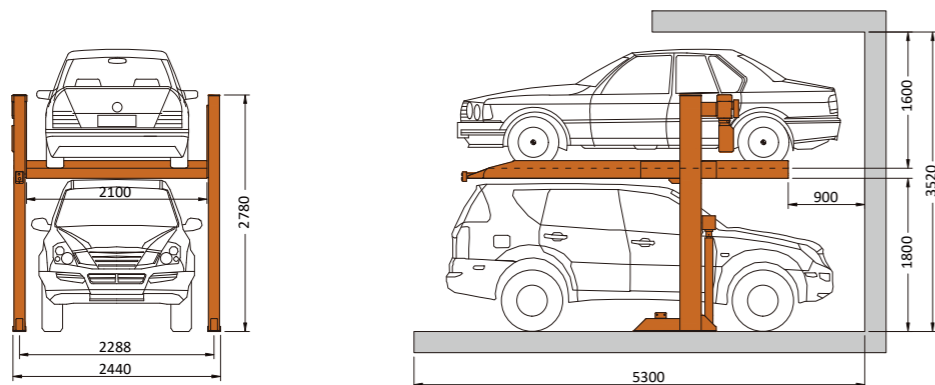
Compact parking that expands the possibilities. Each Hydro-Park 1118 provides 2 parking spaces within smaller cover area. From private garages to dealerships and public parking lots, the new Hydro-Park 1118 is one of the most cost-effective solution for organizing and saving parking space for cars weighing up to 2000kg. In order to lower the upper-level car, the lower-level parking space must be freed up firstly.

Specification

- For dependent parking
- Single platform for 2 vehicles
- Platform load capacity: 2000kg
- Vehicle height: up to 1750mm on ground floor
- Usable platform width: 2100mm as standard
- Compact structure design requires minimized installation space
- Automatic shut-off when operator releases key switch
- Auto lock release makes operation easier
- Sharing post feature allows tandem installations in minimum space
- Galvanized waving platform, high-heel friendly
- Low maintenance cost
- Fine surface coating supported by Akzo Nobel powders



Dimensions



Hydro-Park 5120 | the foldable lift

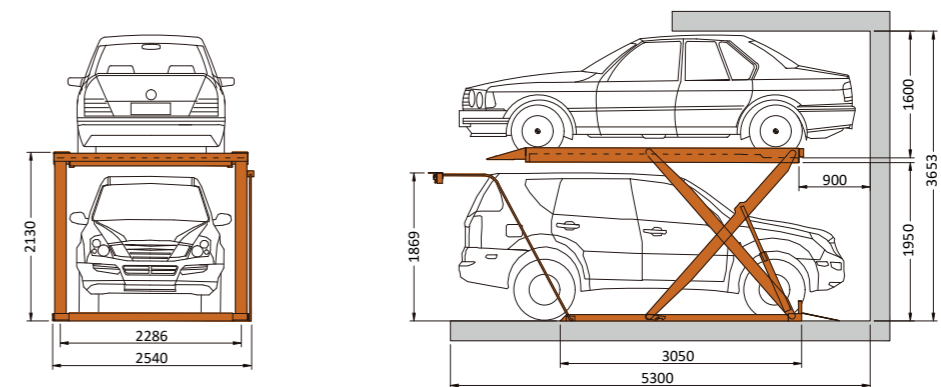
Also known as scissor parking lift, Hydro-Park 5120 is one of the most compact and highly efficient solutions for doubling your parking space in dependent way. Unlike the other parking lifts, it doesn't have any side posts standing up there. The multiple safety locks and built-in hydraulic cylinders allow installation in areas and rooms with restricted headroom. It's ideal solution for both homeowners and commercial parking lots.

Specification

- Low profile, ideal solution for homeowners
- Platform load capacity: 2000kg
- Ground car height: up to 1900mm
- Wide drive-thru on both ground & upper floor
- Dual cylinders drive with self-balance system
- Minimum floor space occupied
- Multiple lock positions
- Compact power pack
- Slim control arm with electric key switch
- Automatic lock release
- Galvanized and corrugated platform guarantees long lifetime
- 24v control voltage avoids electric shock



Dimensions



High Stackers



If you are in need of maximized parking capacity without requiring any additional real estate, then high stackers are the perfect solution for you. The high stackers of Mutrade are all great space-savers that provide max 5 parking spaces vertically, handling up to 3,000kg/6,600lbs on each level. Their robust and compact structural design goes hand in hand with superior safety and long durability, and also makes it possible for both indoor and outdoor installations.

Hydro-Park 2525 & 2625 | compact triple stacker

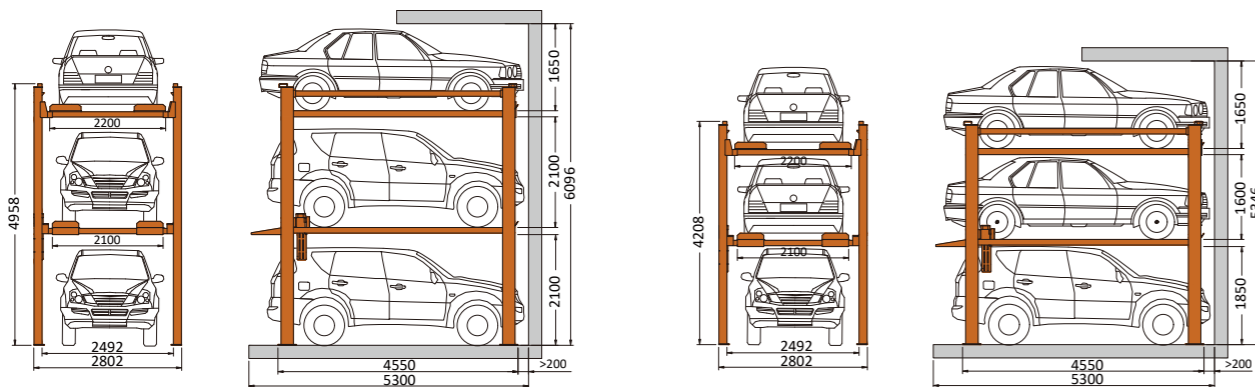
Eco-solution for creating additional parking spaces with minimal construction and maintenance costs in the form of a 3-level parking lift. Providing cost-effective solutions to meet different demands for indoor and outdoor purposes. Shortened posts' height makes it highly flexible in low ceiling spaces. Each lift accommodates max 2 SUVs and 1 sedan on the space of one. The upper platform of both models has capacity of 2000kg, and the lower platform can receive vehicles up to 2500kg.

Specification

- Commercial-grade design
- Compact structure with 4 posts
- Patented design of overlapped platforms
- Platform load capacity: 2500kg (MF) & 2000kg (UF)
- Wide drive-thru up to 2492mm
- Car height: up to 2050mm
- Shortened post height allows fitting in more spaces
- 3.0kw strong hydraulic power pack
- Multiple anti-fall locks along each post
- Lock-release failure detection
- Up & down key switch
- Dust/oil dripping tray on each platform
- Durable powder coating finishing supported by Akzo Nobel

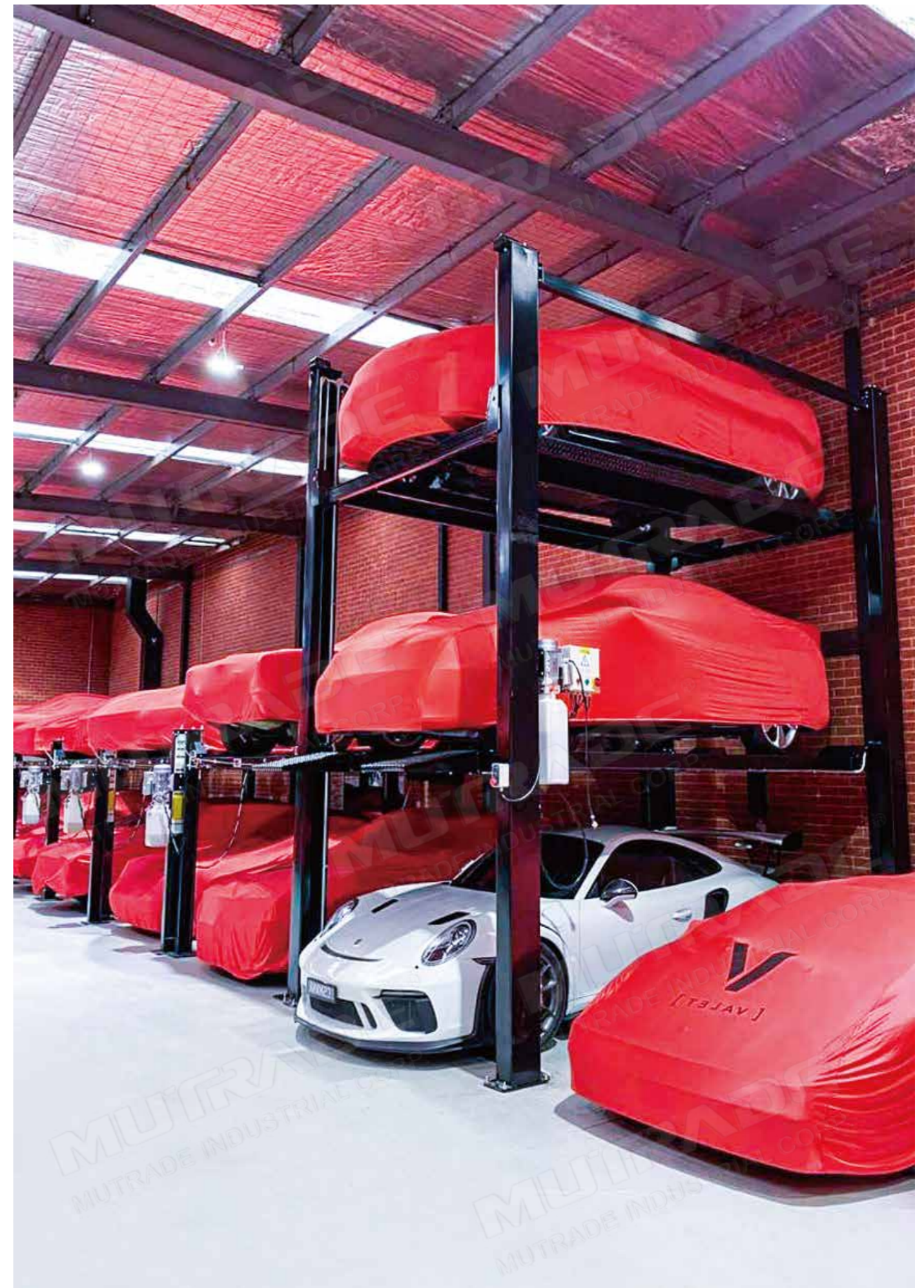


Dimensions



Hydro-Park 2525

Hydro-Park 2625



Hydro-Park 2725 | magical stacker for 6

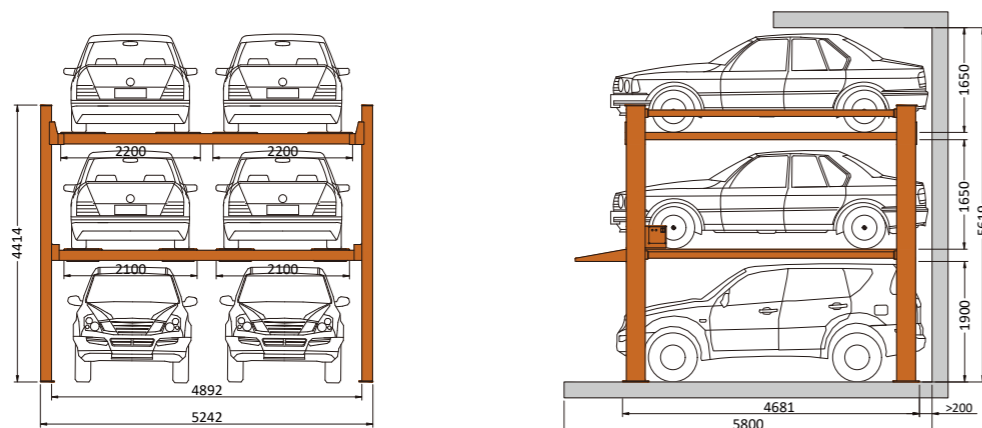
Use the full range of possibilities to unleash the potential of your garage by installing extended three-level parking lift! Hydro-Park 2725 is double-unit version of triple stacker, offer a new possibility when stacking 6 vehicles in a cluster. It accommodates 4 sedans on the platforms and another 2 SUVs on ground floor. Instead of needing 8 posts in two triple stackers, Hydro-Park 2725 has only 4, thus a great space-saver. Thoughtful design with low ramps and multiple safety devices ensures the comfort and reliability of storing more vehicles.

Specification

- Commercial grade design for 6 cars
- Compact structure with 4 posts
- Patented design of overlapped platforms
- Platform load capacity: 2000kg per space
- Wide drive-thru
- Car height: <1850mm on GF and <1600mm on MF
- Shortened post height allows fit in more spaces
- 4.0kw strong hydraulic power pack
- Multiple anti-fall locks along each post
- Lock release failure detection
- Up & down key switch
- Durable powder coating finishing supported by Akzo Nobel



Dimensions



Hydro-Park 3320 | quin stacker

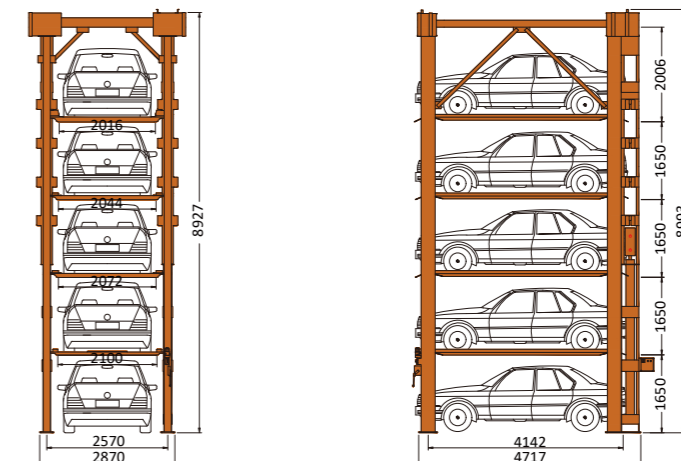
How many vehicles can be piled up in a simple parking lift? Hydro-Park 3320 is a giant for stacking 5 sedans at the same time on the space of one, suitable for long-term storage and display of cars in dealer centers and car showrooms. It's rigged and robust 4-post structure make the lift completely self-standing without need to attach to any walls. Manual unlock system greatly reduces malfunction rate and prolongs system service life. Multiple safety devices ensure the safety of both users and vehicles during the operation of the lifting and lowering.

Specification

- Superstructure for 5 sedans
- Lifting capacity: 2000kg per platform
- Allowed car height: up to 1600mm
- Wide drive-through platform: 2100mm
- Max platform height after overlap: 140mm
- Premium hydraulic cylinder with heavy duty steel ropes
- Sharing post feature allows tandem installations in minimum space
- Four-position anti-falling locks
- Manual unlock system
- Centralized commercial power pack is optional
- Low maintenance
- Fine surface coating supported by Akzo Nobel powders
- Proven quality tested by TUV Germany; CE compliant



Dimensions



Hydro-Park 3230 | quad stacker

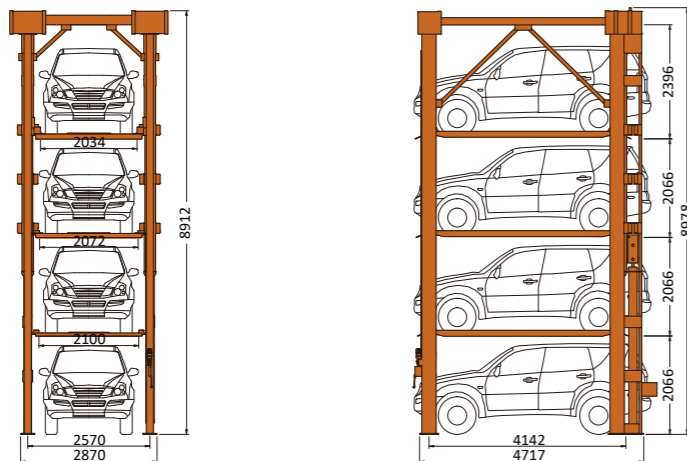
One of the most reliable and widely-used parking lifts for both car parking and car storage by offering 4 parking spaces on the surface of one. Each platform is able to accommodate heavy SUVs weighing up to 3000kg/6600lbs, and sufficient distance between platforms makes it handy when stacking high vehicles. Centralized commercial power pack is optional to reduce overall cost and increase lifting speed of a single lift. Tandem installation by sharing the middle posts allows more installation in the given area. Special treatment is also available when installed outdoor.

Specification

- Superstructure designed for 4 heavy SUVs
- Lifting capacity: 3000kg per platform
- Allowed car height: up to 2000mm
- Wide drive-through: up to 2100mm
- Max platform height after overlap: 105mm
- Premium hydraulic cylinder with heavy duty steel ropes
- Sharing post feature allows tandem installation in minimum space
- Three-position anti-falling locks
- Manual unlock system
- Centralized commercial power pack is optional
- Low maintenance
- Fine surface coating supported by Akzo Nobel powders
- Proven quality tested by TUV Germany; CE compliant



Dimensions



Hydro-Park 3130 | triple stacker

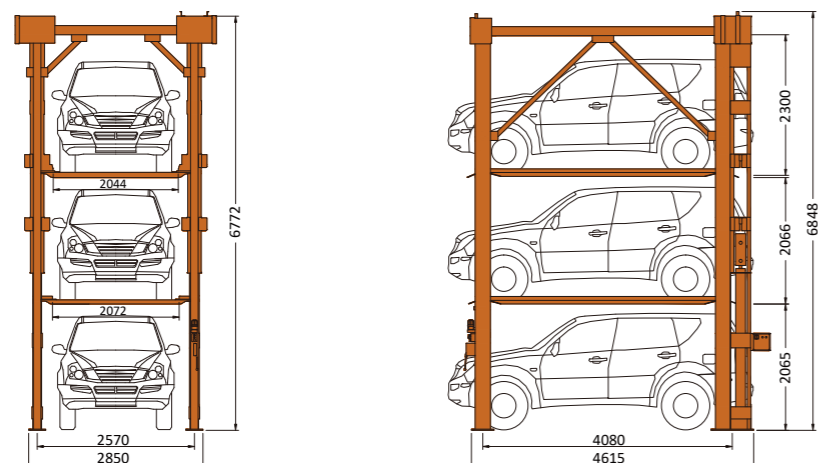
One of the cost-effective and reliable parking lifts for both car parking and car storage when the headroom is restricted. Each lift offers 3 parking spaces on the surface of one, and the super capacity of 3000kg/6600lbs as well as comfort distance between platforms make it ideal to stack 3 heavy SUVs. Centralized commercial power pack is optional to reduce overall cost and increase lifting speed of a single lift. Tandem installation by sharing the middle posts allows more installation in the given area. Special treatment is also available when installed outdoor.

Specification

- Superstructure designed for 3 heavy SUVs
- Lifting capacity: 3000kg per platform
- Allowed car height: up to 2000mm
- Wide drive-through: 2072mm
- Max platform height after overlap: 86mm
- Premium hydraulic cylinder with heavy duty steel ropes
- Sharing post feature allows tandem installation in minimum space
- Two-position anti-falling locks
- Manual unlock system
- Centralized commercial power pack is optional
- Low maintenance
- Fine surface coating supported by Akzo Nobel powders
- Proven quality tested by TUV Germany; CE compliant



Dimensions



Pit Solutions



As it becomes harder and harder to acquire more land spaces out there, it's time to look back in and make retrofits to existing indoor parking lots, digging down to create more possibilities. The pit systems solve perfectly the puzzle of maximized parking spaces and uncompromised parking convenience. Every car on any level can be parked or retrieved freely and independently. And a wide variety of options in sizes are selectable to ensure their flexibility when matching the specific needs of every single project.

Starke 2127 | most comfortable

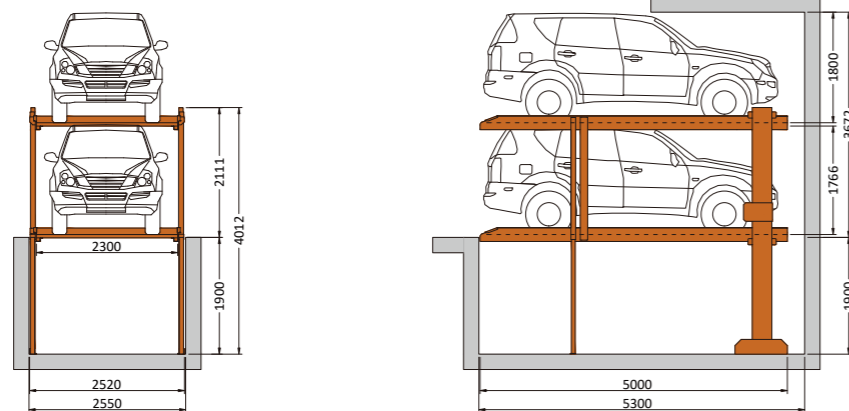
Is there any way to stack 2 vehicles vertically without removing the car on ground? One of the most comfortable solutions is going down and hide. With the help of a pit, the two horizontal platforms of Starke 2127 provide 2 parking spaces that allow free access and exit independently. Their compact and robust structural design offers more usable width yet with less pit depth. The large capacity of 2700kg can accommodate higher and larger vehicles and fit in various pit dimensions optionally. And the application of centralized hydraulic power pack makes the solution more cost-effective.

Specification

- For independent parking
- Robust structural design
- Single unit for 2 cars
- Platform load capacity: 2700kg
- Platform width: 2300mm as standard, and up to 2500mm
- Pit width: 2550mm as standard, and up to 2750mm
- Vehicle height in low level: from 1550mm to 2000mm
- Dual hydraulic cylinders drive
- Centralized commercial power pack is optional
- Minimized construction cost
- Multi-position mechanical safety locks
- Steel ropes provide additional protection from falling
- Galvanized platform plates, high heel friendly
- Fine surface coating supported by Akzo Nobel powders
- Proven quality tested by TUV Germany; CE compliant



Dimensions



Starke 2227 | more comforts come in double

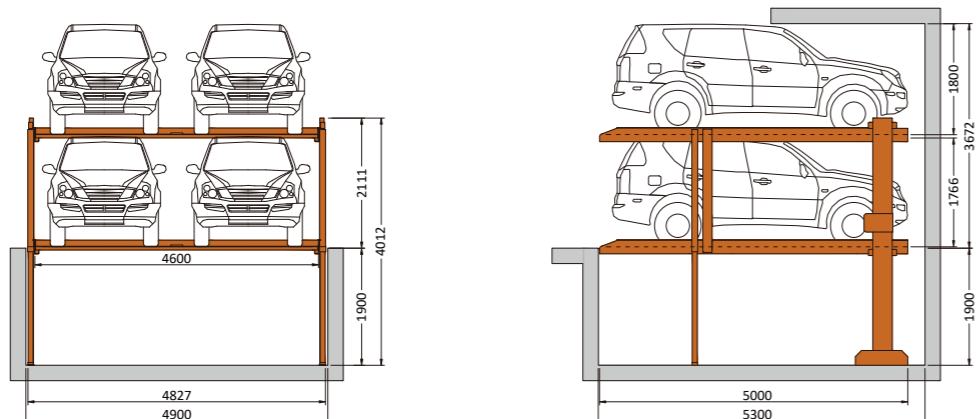
Starke 2227 is double-unit version of Starke 2127, offering 4 independent parking spaces in two horizontal platforms. Each parking space still accommodates vehicles weighing up to 2700kg, thus total capacity 10,800kg. The elimination of posts or pillars in the center is not only saving space, but providing superior comforts and pleasure to your parking, either driving in or out. And the combination of single and double units makes them flexible and ideal in various conditions.

Specification

- For independent parking
- Robust structural design
- Double unit for 4 cars
- Platform load capacity: 2700kg per parking space
- Platform width: 4600mm as standard, and up to 5000mm
- Pit width: 4900mm as standard, and up to 5300mm
- Vehicle height in low level: 1550mm, and up to 2000mm
- Pit depth: 1900 as standard, ranging from 1750mm to 2200mm
- Dual hydraulic cylinders drive
- Centralized commercial power pack is optional
- Minimized construction cost
- Multi-position mechanical safety locks
- Steel ropes provide additional protection from falling
- Galvanized platform plates, high heel friendly
- Fine surface coating supported by Akzo Nobel powders
- Proven quality tested by TUV Germany; CE compliant



Dimensions



Starke 2327 | less headroom required

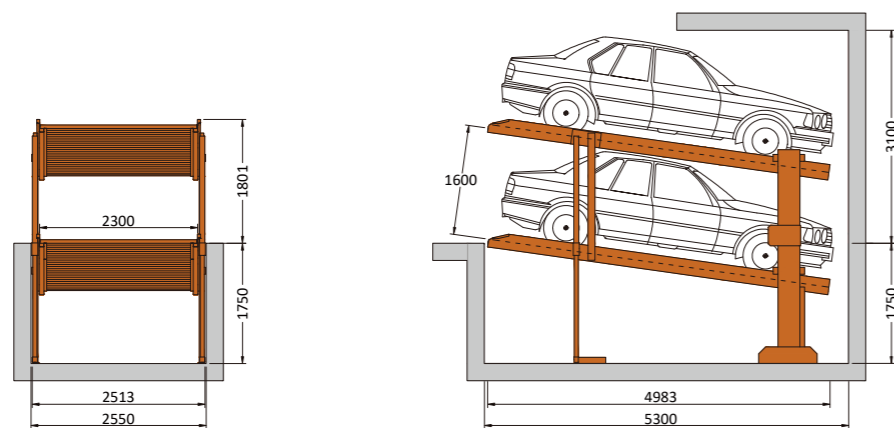
Though it's an outstanding idea to go in pit, there're cases that ceiling height might cause a trouble. By tilting the platforms, Starke 2327 provides maximum space saving without much compromise in comfort. Their well-thought-out design, reliability and ease of operation are the solution for rooms with a shortage of free space. Large capacity of 2700kg is given to handle large and heavy vehicles.

Specification

- For independent parking
- Superstructural design
- Reduced installation height, 3100mm only
- Single unit for 2 cars
- Platform load capacity: 2700kg
- Platform width: 2300mm as standard, and up to 2500mm
- Pit width: 2550mm as standard, and up to 2750mm
- Vehicle height in low level: 1550mm
- Pit depth: 1750mm
- Inclined access to lower parking level
- Dual hydraulic cylinders drive
- Centralized commercial power pack is optional
- Minimized construction cost
- Steel ropes provide additional protection from falling
- Galvanized platform plates, high heel friendly
- Fine surface coating supported by Akzo Nobel powders



Dimensions



Hydro-Park 7220 | access is that easy

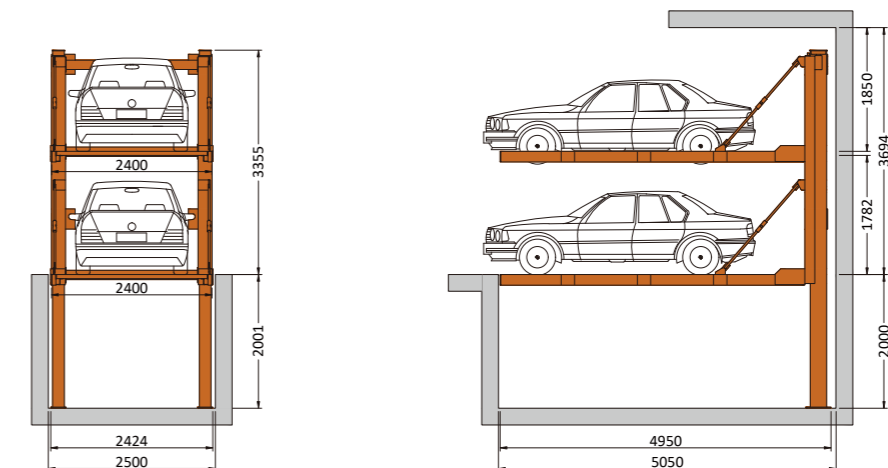
With our cantilever parking system with pit, we offer the perfect parking solution for two sedans. The magic is that when it comes to convenience and easy access to your parking space, the system offers independent parking. At the same time, the absence of support posts on the sides results in a smaller occupied parking space, providing more space for additional parking spaces, super-wide platform, as well as additional comfort when getting in and out of the car.

Specification

- For independent parking
- Free car door opening, excellent comfort
- Single unit for 2 cars
- Platform load capacity: 2000kg
- Platform width: 2400mm as standard, and up to 2600mm
- Pit width: 2500mm as standard, and up to 2700mm
- Pit depth: 2000mm as standard, and variable from 1800mm to 2200mm
- Vehicle height in low level: 1700 as standard
- Dual hydraulic cylinders drive
- Centralized commercial power pack is optional
- Galvanized platform plates, high heel friendly
- Fine surface coating supported by Akzo Nobel powders



Dimensions



PFPP-2/3 | just like flat ground

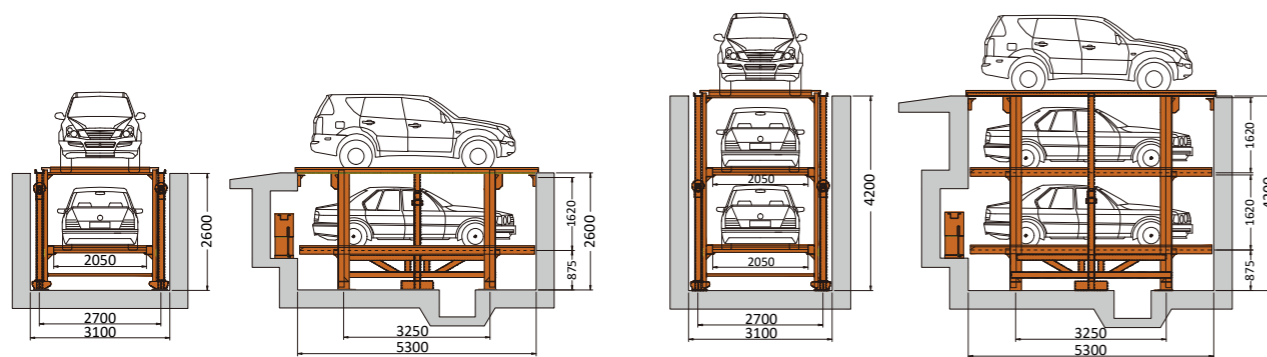
When parking multiple vehicles in pit or installing outdoor, the self-standing structure of 4-post type comes in handy. PFPP series are reliable and convenient parking lifts in places where it is possible to organize a pit, providing up to 4 independent parking spaces in one. The obvious advantage of this model is the absence of any structures in the lowered state, allowing vehicles traversing by on top and not affect the appearance of the surrounding landscape. Multiple systems can be built in tandem or front-back arrangements, optionally controlled by automatic PLC system.

Specification

- Independent parking
- Single unit for 2, 3 or max 4 cars
- Premium solution for outdoor usage
- Platform load capacity: 2000kg, 2500kg is optionally available
- Car height: 1550mm as standard, up to 2050mm
- Top platform flush with ground after lowering down
- Flat platform traversable by vehicles
- Galvanized platform plates, high heel friendly
- Both hydraulic and motorized types are available
- Post-sharing feature enables more installations in limited space
- Control method: buttons, or cards (optional)



Dimensions



PFPP -2

PFPP -3



Puzzle Parking Systems



When some people prefer the simplicity of up/down, some others are seeking sophistication. Puzzle systems are such types that fulfill the demand of smart and convenient parking experience by combining lift & slide together. State-of-the-art parking technologies are used to address our clients growing demand for parking spaces, max 6 levels built up, and it's possible to add extra levels underground. By simply requesting a free or assigned parking platform, the system shifts platforms vertically or horizontally to deliver the requested one to the entrance level on ground.

BDP-2 | lift and slide

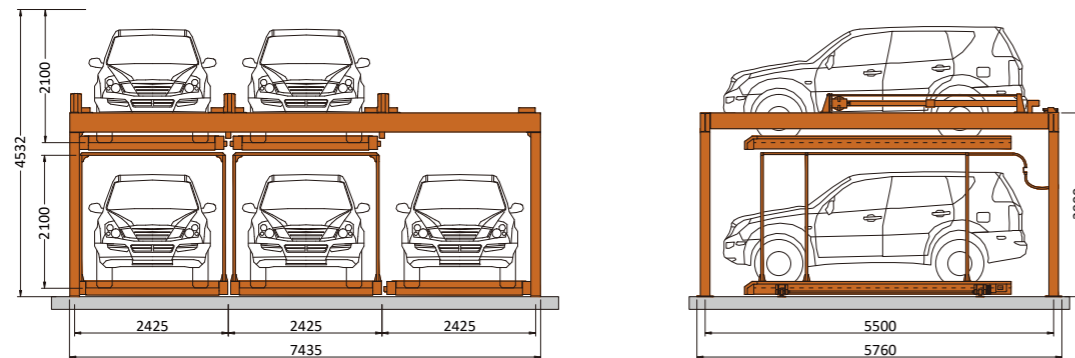
Without needing a pit, this semi-automatic parking system can really make your life easier. Having one empty space on the ground floor, platforms on ground floor slide laterally and those on top move vertically, so that all spaces can be accessed directly and independently. The unique design of hydraulic-driven provides larger capacity, faster lifting speed, quieter operation and superior safety comparing to motorized system. It can be built in various solutions by adding more grids on the side or additional row(s) in front. The height of two levels makes it applicable both indoor or outdoor.

Specification

- For independent parking
- Hydraulic driven, safer & quieter
- Above ground installation with 2 parking levels
- Platform load capacity: 2000kg or 2500kg
- Variable arrangements possible, from 3 to 10 grids wide (5 to 19 cars)
- Usable platform width: 2100mm as standard, up to 2600mm
- Installation height (with car): from 3432mm
- Vehicle size: L5000mm, H1550~2050mm on request
- Multiple electrical safety devices
- Smart operation via ID card or key fob
- Security vertical gate is optional
- Fine finishing of powder coating
- Motorized system is optional (capacity 2000kg)
- Roofing and façade can be added by customer to protect from weather



Dimensions



BDP-3 | three-level puzzle

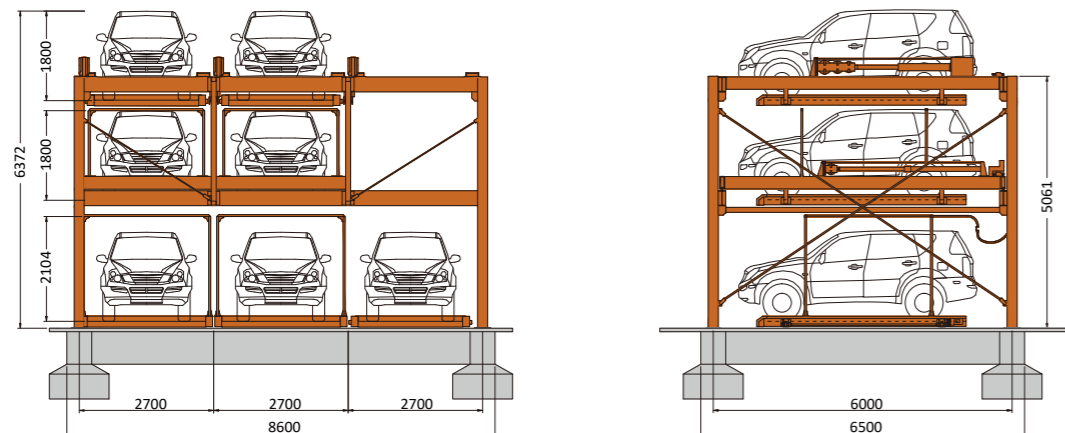
Easy and compact to park cars in urban area? BDP-3 is a space-saving puzzle parking system built in three levels. Thanks to the empty space on both ground and middle floor, all spaces can be accessed directly and independently. The unique design of hydraulic-driven provides larger capacity, faster lifting speed, quieter operation and superior safety comparing to motorized system. It can be built in various solutions by adding more grids on the side, back-to-back, or additional row(s) in front. Furthermore, options for different platform widths, system lengths, and floor clearances are available to accommodate various vehicle types.

Specification

- For independent parking
- Hydraulic driven, faster lifting speed
- Above ground installation with 3 parking levels
- Platform load capacity: 2000kg or 2500kg
- Variable arrangements possible, from 3 to 9 grids wide (7 to 25 cars)
- GF platform width: 2280mm as standard, up to 2480mm
- Installation height: from 5972mm
- Vehicle size: L5000mm, H1550mm to 2050mm on request
- Mechanical anti-falling frame
- Multiple electrical safety devices
- Smart operation via ID card or key fob
- Security vertical gate is optional
- Fine finishing of powder coating
- Motorized system is optional (capacity 2000kg)
- Roofing and façade can be added by customer to protect from weather



Dimensions



BDP-4 | four-level puzzle

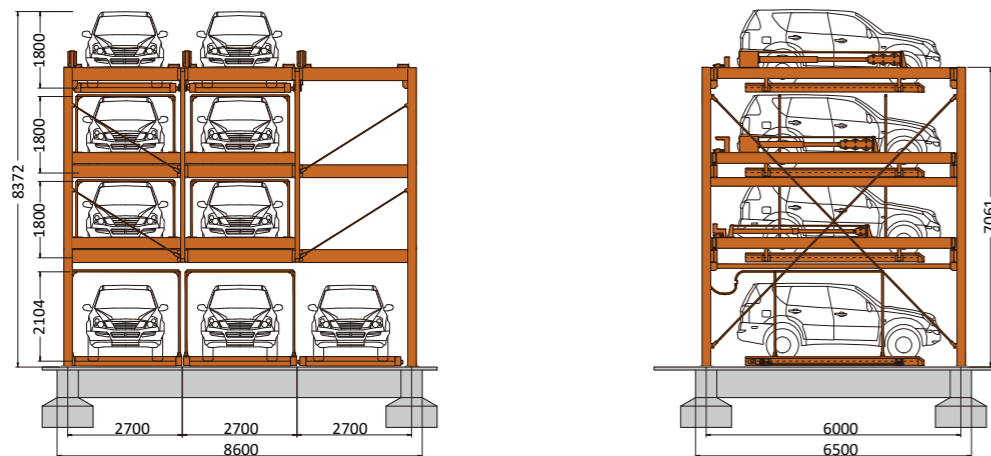
BDP-4 is a compact and space-saving puzzle parking system built in four levels. By having one empty space on the ground and middle floors, all spaces can be accessed directly and independently. The unique design of hydraulic-driven provides super-faster lifting speed comparing to motorized system, thus greatly shorten the waiting time. It can be built in various solutions by adding more grids on the side or back-to-back. Furthermore, options for different platform widths, system lengths, and floor clearances are available to accommodate various vehicle types.

Specification

- For independent parking
- Hydraulic driven, super-fast lifting speed
- Above ground installation with 4 parking levels
- Platform load capacity: 2000kg or 2500kg
- Variable arrangements possible, from 3 to 10 grids wide (9 to 37 cars)
- GF platform width: 2280mm as standard, up to 2480mm
- Installation height: from 7772mm
- Vehicle size: L5000mm, H1550mm to 2050mm on request
- Mechanical anti-falling frame
- Multiple electrical safety devices
- Smart operation via ID card or key fob
- Security vertical gate is optional
- Fine finishing of powder coating
- Roofing and façade can be added by customer to protect from weather



Dimensions



BDP-5 | five-level puzzle

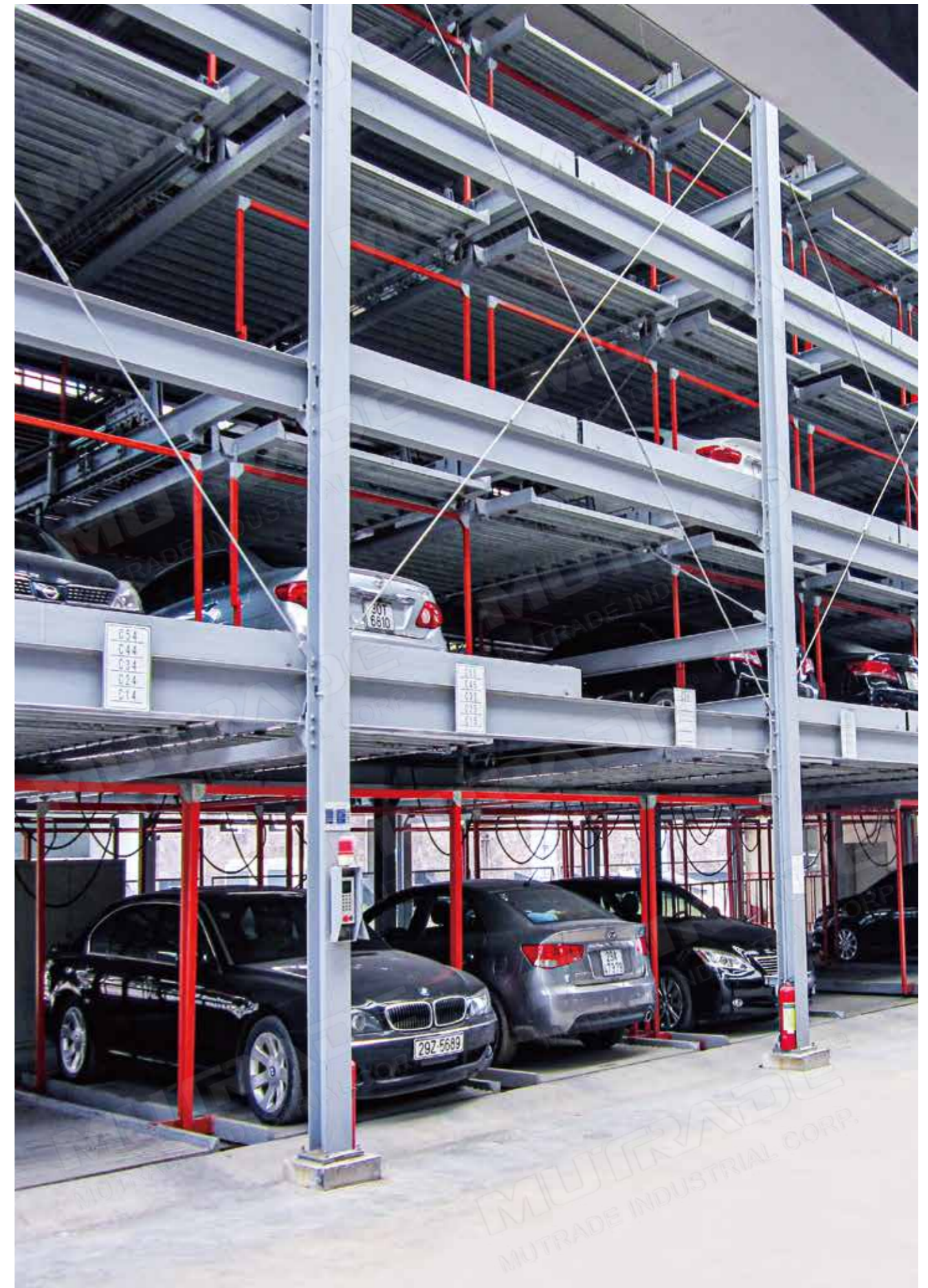
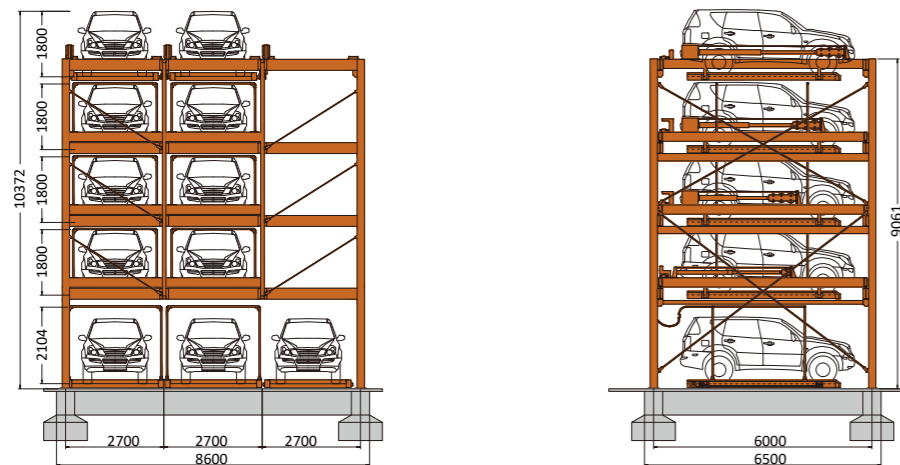
One of the most space-saving puzzle parking system that maximum utilizes every inch of the space. By having one empty space on the ground and all middle floors, all spaces can be accessed directly and independently. The unique design of hydraulic-driven provides super-faster lifting speed comparing to motorized system, thus greatly shorten the waiting time. It can be built in various solutions by adding more grids on the side or back-to-back. Furthermore, options for different platform widths, system lengths, and floor clearances are available to accommodate various vehicle types.

Specification

- For independent parking
- Hydraulic driven, super-fast lifting speed
- Above ground installation with 5 parking levels
- Platform load capacity: 2000kg or 2500kg
- Variable arrangements possible, from 3 to 6 grids wide (11 to 26 cars)
- GF platform width: 2280mm as standard, up to 2480mm
- Installation height: from 9572mm
- Vehicle size: L5000mm, H1550mm to 2050mm on request
- Mechanical anti-falling frame
- Multiple electrical safety devices
- Smart operation via ID card or key fob
- Security vertical gate is optional
- Fine finishing of powder coating
- Roofing and façade can be added by customer to protect from weather



Dimensions



BDP-6 | six-level puzzle

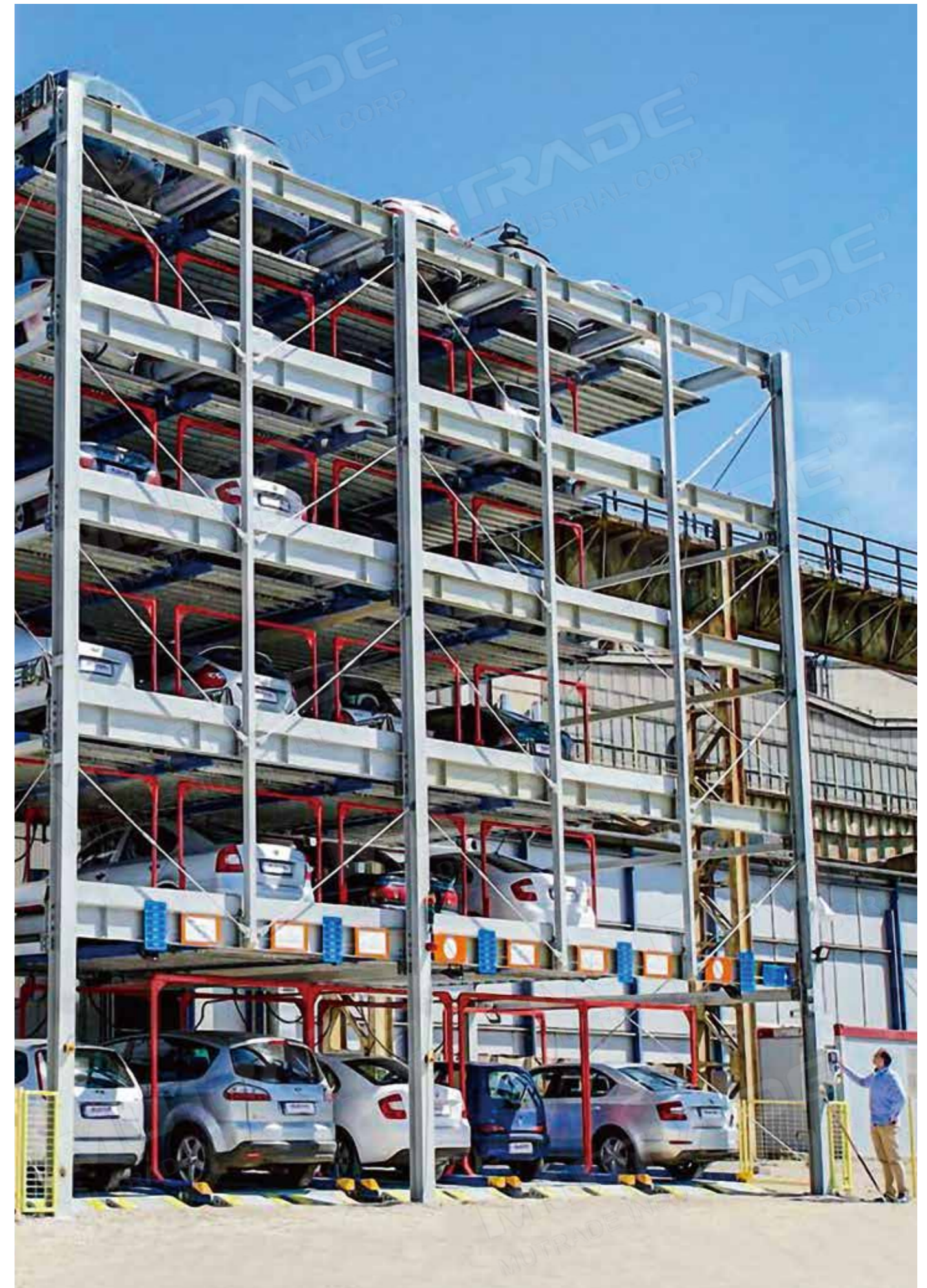
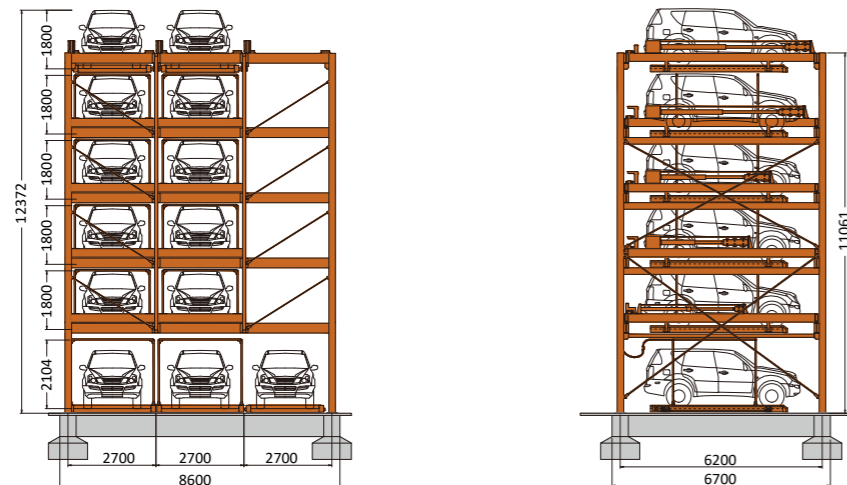
A great space-saver that offers 6 parking spaces on the space of one. By having one empty space on the ground and all middle floors, all spaces can be accessed directly and independently. The unique design of hydraulic-driven provides larger capacity, faster lifting speed, quieter operation and superior safety comparing to motorized system. It can be built in various solutions by adding more grids on the side or back-to-back. Furthermore, options for different platform widths, system lengths, and floor clearances are available to accommodate various vehicle types.

Specification

- For independent parking
- Hydraulic driven, super-fast lifting speed
- Above ground installation with 6 parking levels
- Platform load capacity: 2000kg or 2500kg
- Variable arrangements possible, from 3 to 6 grids wide (13 to 31 cars)
- GF platform width: 2280mm as standard, up to 2480mm
- Installation height: from 11,372mm
- Vehicle size: L5000mm, H1550mm to 2050mm on request
- Mechanical anti-falling frame
- Multiple electrical safety devices
- Smart operation via ID card or key fob
- Security vertical gate is optional
- Fine finishing of powder coating
- Roofing and façade can be added by customer to protect from weather



Dimensions



BDP-1+1 | smart mixer

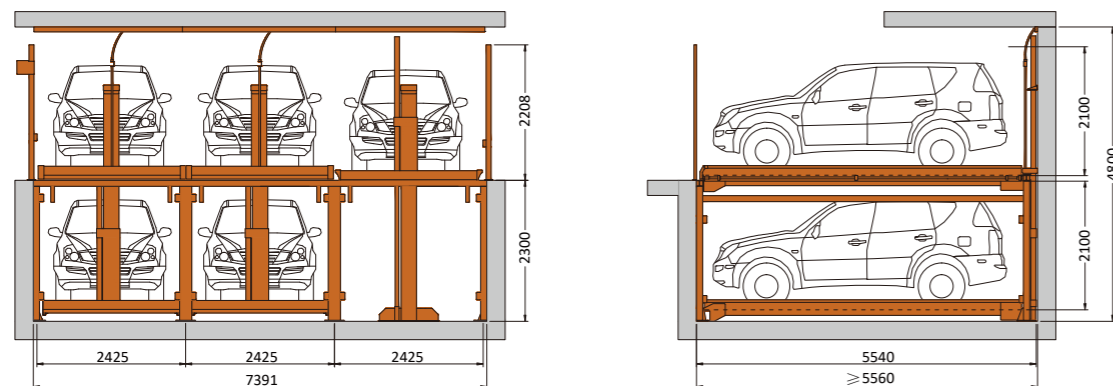
When combining the concepts of pit and puzzle together, a great system comes to double the parking capacity of parking lots with restricted clearance. By having one platform less on the ground floor, the ground platforms can slide laterally to clean the vertical path of the platforms in pit. Thus, all the spaces can be accessed independently on the ground floor. It can be built in various solutions by adding more grids on the side, or another BDP-2 system in front.

Specification

- For independent parking
- Hydraulic driven, fast lifting speed
- Two parking levels with one in pit
- Platform load capacity: 2000kg or 2500kg
- Ceiling height: from 2000mm
- Pit depth: from 1800mm
- Variable arrangements possible, from 3 to 10 grids wide (5 to 19 cars)
- Usable platform width: 2200mm as standard, and up to 2600mm
- Vehicle size: Length 5000mm, Height 1550mm to 2050mm on request
- Multiple electrical safety devices
- Foundation pit is required
- Smart operation via ID card or key fob
- Fine finishing of powder coating



Dimensions



Starke 3121 & 3127 | premium space saver

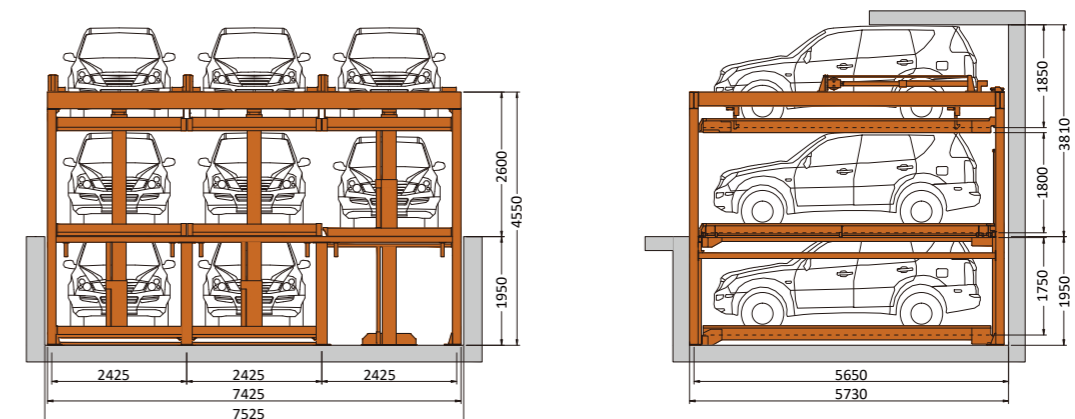
One of the most compact and space-saving system that converts one conventional ground spot into three, one level in pit and another two above ground. The platforms of both pit and upper levels move vertically only, and the ground platforms slide laterally, with always one platform less on the ground floor. Thanks to the unique structural design, Starke 3121 & 3127 requires less construction and offers wider platform and larger capacity. Furthermore, options for different platform widths and pit depths are available to accommodate various vehicles.

Specification

- For independent parking
- Hydraulic driven, excellent experience
- Three parking levels with one in pit
- Platform load capacity: 2100kg or 2700kg
- Variable arrangements possible, from 3 to 10 grids wide (8 to 29 cars)
- Usable platform width: 2200mm as standard, up to 2600mm
- Ceiling height: from 3560mm
- Vehicle size: L5000mm, H1550mm to 2050mm on request
- Pit depth: from 1800mm
- Galvanized platform, high heel friendly
- Multiple electrical safety devices
- Smart operation via ID card or key fob
- Security vertical gate is optional
- Fine finishing of powder coating
- Proven quality tested by TUV Germany; CE compliant



Dimensions



Smart Parking Systems



What does the future of parking look like? Key words could be automation, speedy, safe and low carbon, all these are directed to smart parking systems. They can either go sky-high or deep down, highly feasible for small sites that are unable to accommodate a conventional ramped parking structure. Higher security comes along for both vehicles and their drivers by eliminating open spaces that can expose to potential dangers. And without driving up floor after floor seeking a vacant spot, they have all been there, helping to decrease exhaust emissions, thus more Green.

ARP Series | carousel for parking

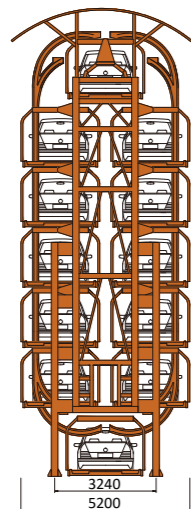
Easiest working logic, least covering area and large parking capability! Experience the high performance of carousel parking system - by rotating the platforms around the axis along a curved endless trajectory. This compact and modern solution allows to park from 8 to 20 sedans independently on the area of 2 conventional parking spaces only. By simply inputting your space number or tapping an ID card, the system will recognize your vehicle position and deliver it down to the entrance automatically, either clockwise or anti-clockwise.

Specification

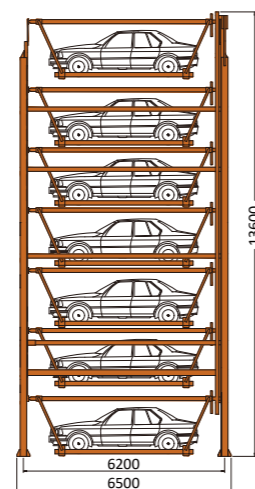
- For independent parking
- Up to 20 sedans parked in the area for 2
- Platform load capacity: 1800kg
- Allowed car size: Length 5300mm, Height 1550mm
- Premium German motor
- Dual direction rotation
- Fast rotating speed, short retrieval time
- Smart operation via ID card or key fob
- Multiple safety devices
- Automatic door available as standard
- Modular and simpler installation, averaging 5-7 days per system



Dimensions



ARP-12

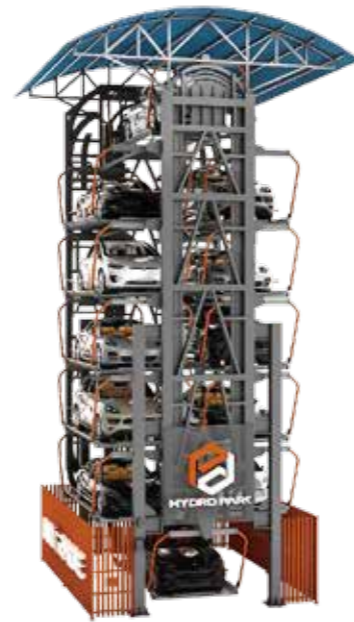


ARP-S Series | it caters SUVs

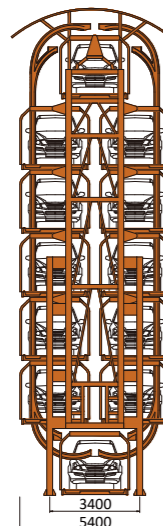
Higher, larger, and stronger. ARP-S series allow parking up to 16 heavy SUVs weighing up to 2300kg, yet still on the similar covering area as sedan systems. Superior German motor guarantees stable operation and quick time of retrieval. By simply inputting your space number or tapping an ID card, the system will recognize your vehicle position and deliver it down to the entrance automatically, either clockwise or anti-clockwise.

Specification

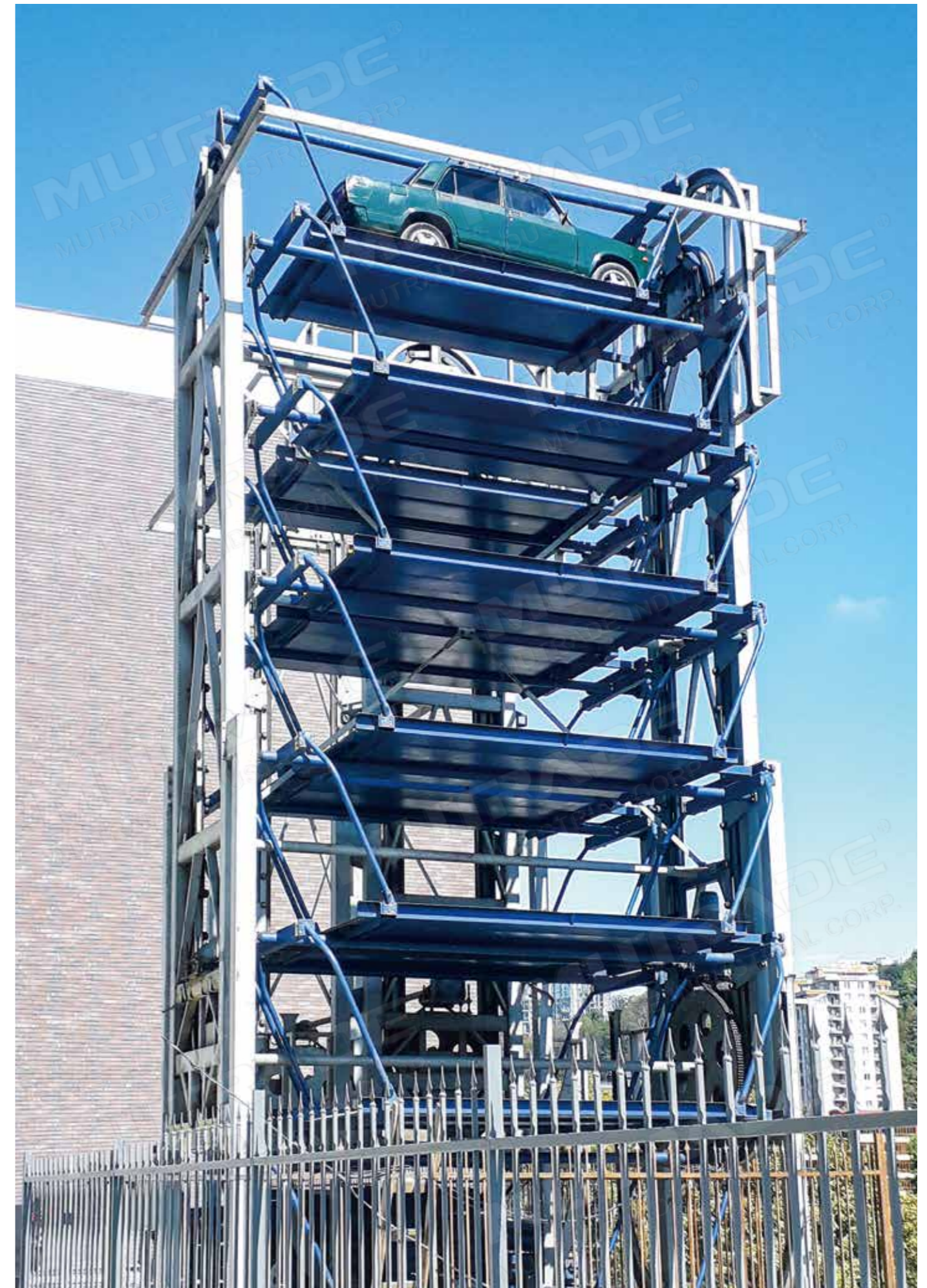
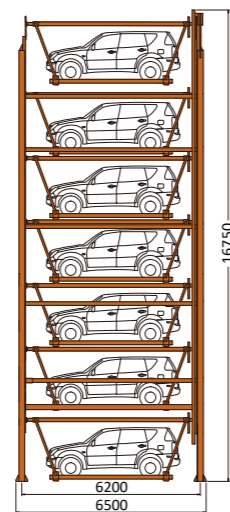
- For independent parking
- Up to 16 SUVs parked in the area for 2
- Platform load capacity: 2300kg
- Allowed car size: Length 5300mm, Height 2050mm
- Premium German motor, up to 24kw
- Dual direction rotation
- Fast rotating speed, short retrieval time
- Smart operation via ID card or key fob
- Multiple safety devices
- Automatic door available as standard
- Modular and simpler installation, averaging 5-7 days per system



Dimensions



ARP-12S



ATP Series | magic tower

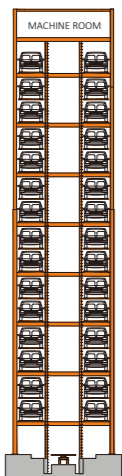
What is a tower parking system capable of? It can be tall, up to 35 floors; can be wide, up to 6 parking spaces per floor; and can be half-underground by adding extra floors in pit. ATP series is the magic tower that extremely maximizes the usage of limited land in small ground space and improves the experience of car parking. Compared to the traditional platform type with complete deck, our newly developed comb-type platforms greatly simplify the exchanging process and efficiently shortens the waiting time. A turntable is optionally available on the ground floor to increase the parking efficiency further.

Specification

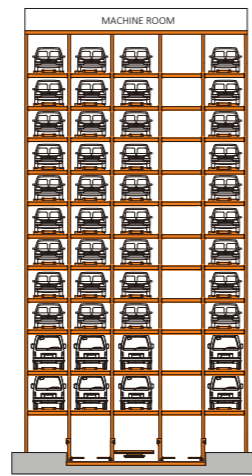
- Smart parking system for small footprint areas
- High tower up to 35 levels for 70 vehicles
- Fit for both sedans and SUVs
- Lifting capacity: 2350kg
- Vehicle size: Length 5300mm, Height up to 2050mm
- Wide tower possible: max 6 parking spaces per floor
- Comb pallet design greatly shortens exchanging time
- Super-high speed lifting system, up to 120m/min
- Both stand-alone type and built-in type available
- Pit version is also available
- Turntable is optional on ground floor
- Premium safety ensured by multi safety devices
- Smart operation via ID card



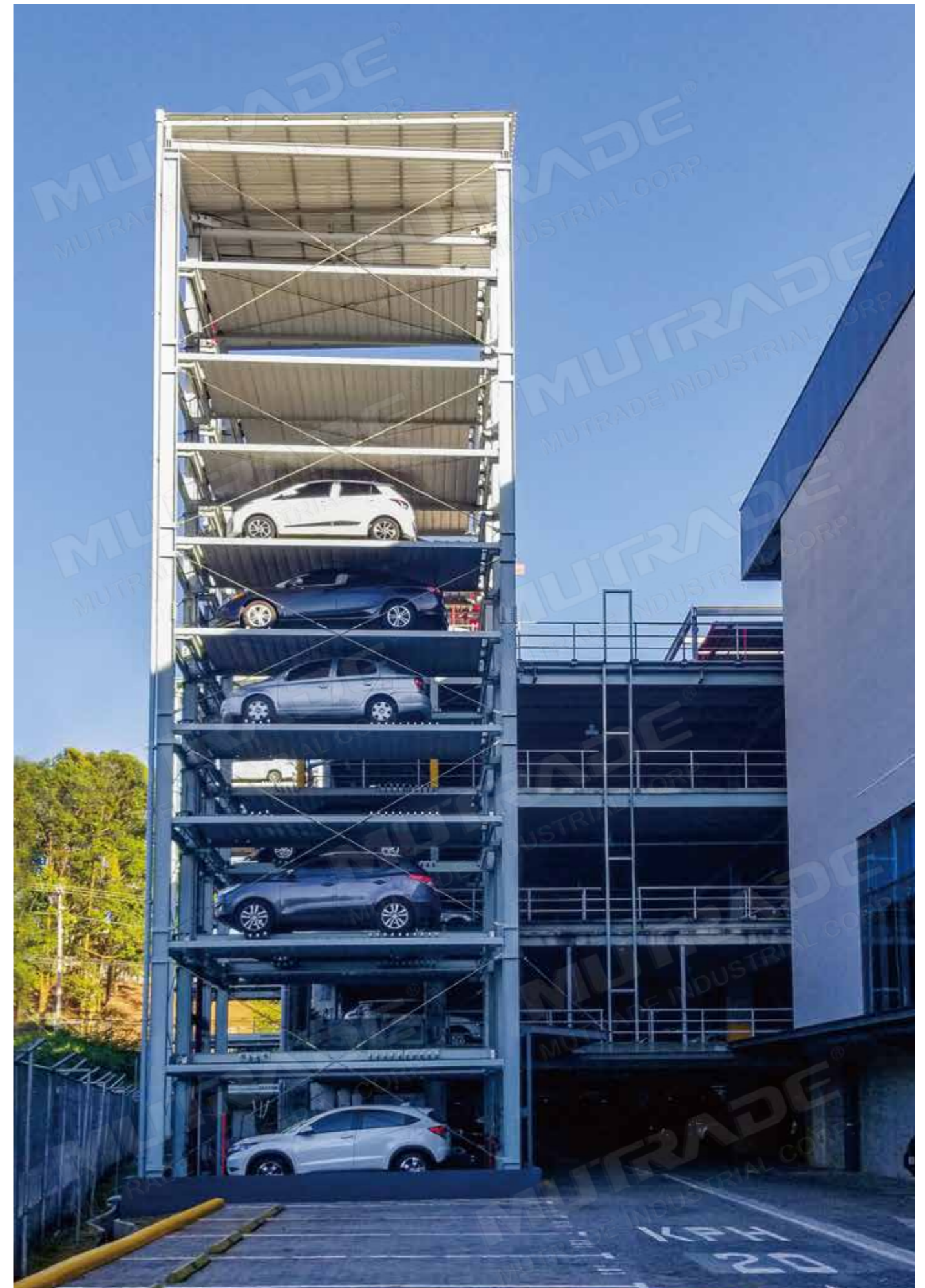
Dimensions



High tower



Wide tower



MLP Series | lift & shuttle

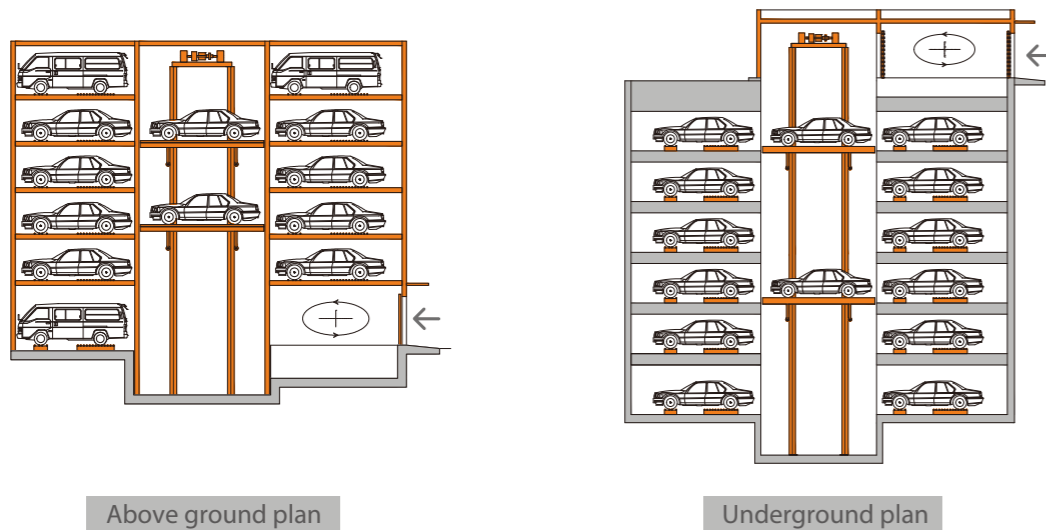
A perfect balance between efficiency and capability. MLP series are shuttle systems that accommodate a large number of vehicles up to more than 100 within a max 6 levels structure. Vehicles are transported to their parking levels by one or multiple elevators, taken over by individual shuttle slider, carried to front of the desired parking space, exchanged by comb structures and then settle down. It's one of the most efficient systems that manipulate vertical & horizontal movements concurrently. Multiple entrances and exits are optionally available to increase the efficiency further.

Specification

- Lift and shuttle in parallel, highly efficient
- Up to 6 parking levels, ideally 50-80 vehicles per system
- Fit for both sedans and SUVs
- Lifting capacity: 2350kg
- Vehicle size: Length 5300mm, Height up to 2050mm
- Multiple project-based arrangements are possible
- Comb pallet design greatly shortens exchanging time
- Smarter parking robot is optionally available
- Super-high speed lifting system, up to 75m/min
- Pit version is also available
- Turntable is optional on ground floor
- Premium safety ensured by multi safety devices
- Smart operation via ID card



Dimensions



Above ground plan

Underground plan

MSSP Series | three in one

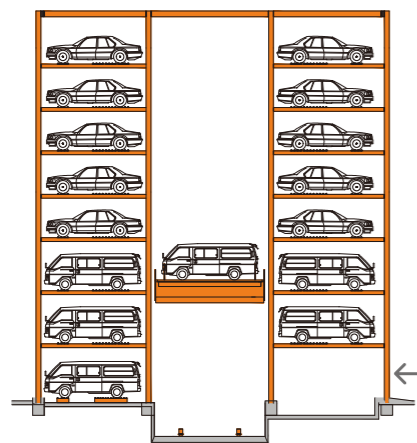
A revolutionary system that combines three in one, elevator, slider and turner, all integrated onto one platform that moves up and down stacking vehicles. Also known as cabinet system, the MSSP series is a great space-saver due to the lack of individual elevator structure or giant stacker cruising along the aisle. Providing up to 16 parking floors high or 6 spaces wide, it's an ideal solution for places with medium space but high demand in parking density. Multiple entrances and exits are optionally available to increase the efficiency further.

Specification

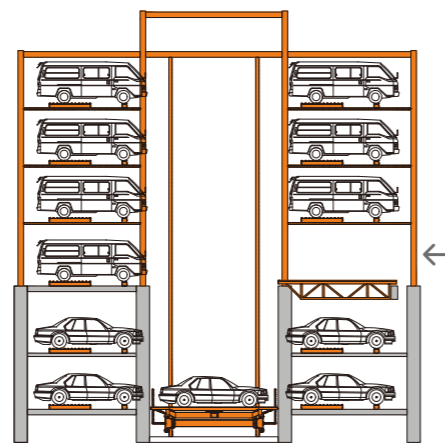
- Fully automated system for medium footprint areas
- Combining lifting, sliding, exchanging and turning onto one cabinet
- Up to 16 parking levels high and 6 grids wide
- Accommodating both sedans and SUVs
- Lifting capacity: 2350kg
- Vehicle size: Length 5300mm, Height up to 2050mm
- Greatly adaptable to individual project requirements
- Comb pallet design greatly shortens exchanging time
- Multiple entrances & exits are possible
- Super-high speed lifting system, up to 95m/min
- Pit version is also available
- Integrated turntable is optional
- Premium safety ensured by multi safety devices
- Smart operation via ID card



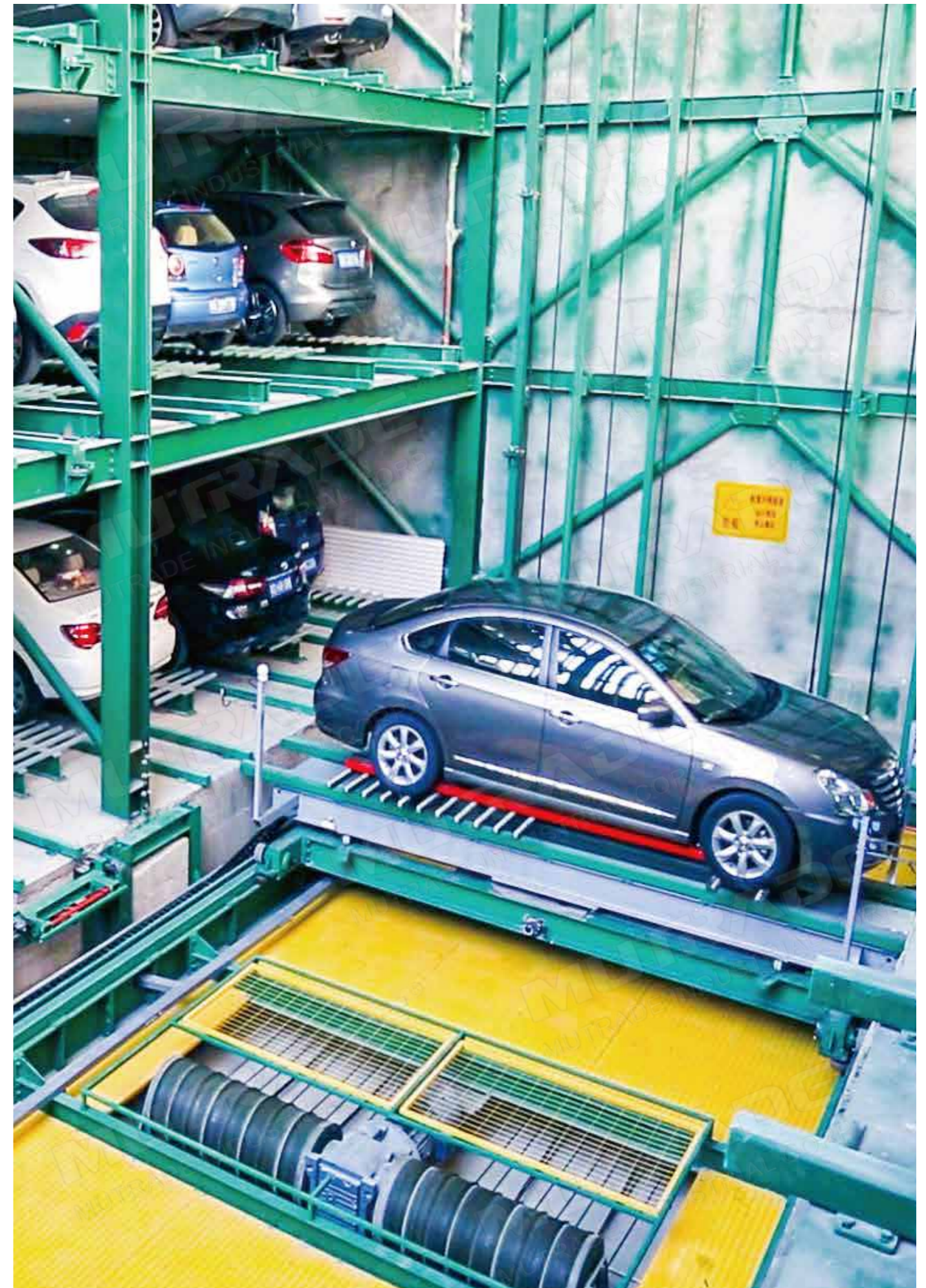
Dimensions



Above ground plan



Half-underground plan



CTP Series | a perfect circle

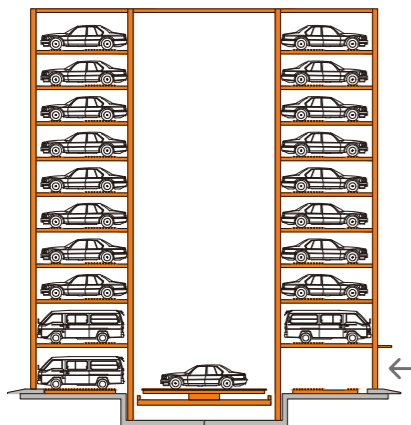
Our continuous pursuit of functional, efficient and attractive equipment has led to the creation of the automated parking system with a streamlined design – circular type parking system. With up to 12 parking spaces around the elevator in center, CTP series make the most use of limited space, providing not only simple, but also highly efficient and safe parking experience. Its unique technology allows multiple parking rooms on the entrance floor, which can be set at bottom level, top level, or a middle level. Moreover, its design style can be integrated with cityscapes to become an inconspicuous part of the city.

Specification

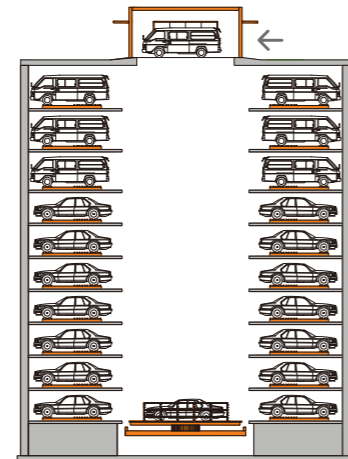
- Automated system with circular footprint
- Combining lifting, sliding, exchanging and turning together in the center
- Up to 10 parking levels high; 8, 10 or 12 cars per parking floor
- Accommodating both sedans and SUVs
- Lifting capacity: 2350kg
- Vehicle size: Length 5300mm, Height up to 2050mm
- Greatly adaptable to individual project requirements
- Comb pallet design greatly shortens exchanging time
- Multiple entrances & exits are possible
- Super-high speed lifting system, up to 95m/min
- Pit version is also available
- Premium safety ensured by multi safety devices
- Smart operation via ID card



Dimensions



Above ground plan



Underground plan



HSP Series | shelf & stack

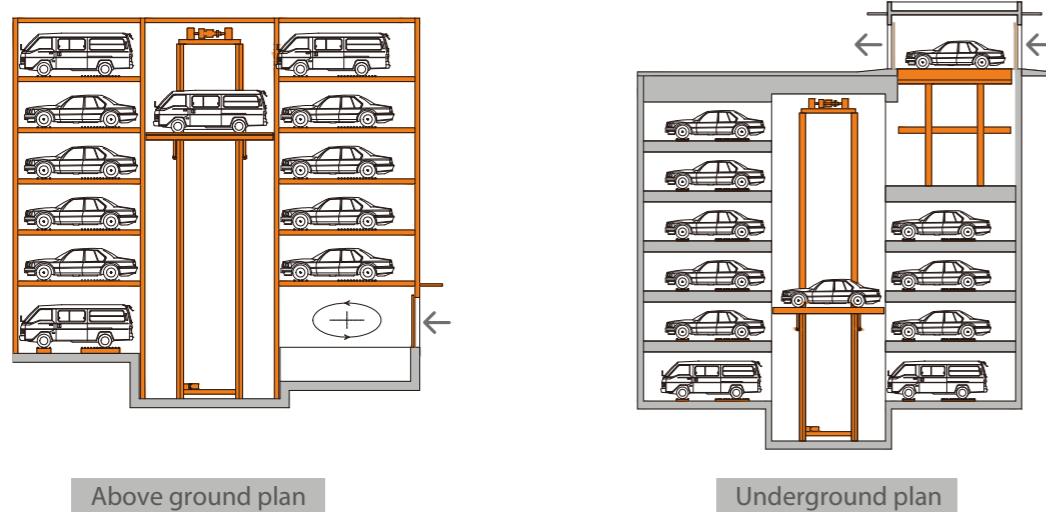
A system that adopts similar principle of storage racks in warehouse. In HSP system, also called aisle type parking system, two rows of vehicles are parked aside the parking aisle. A stacking machine cruises along the aisle and carries the vehicle vertically in the meantime. Up to 80 vehicles can be stored at the same time. To park a vehicle, the driver just needs to stop the car at the parking bay, and the whole rest job will be done by the stacking machine automatically.

Specification

- Shelf system with automated stacker
- Up to 6 parking levels, ideally 50-80 vehicles per system
- Fit for both sedans and SUVs
- Lifting capacity: 2350kg
- Vehicle size: Length 5300mm, Height up to 2050mm
- Multiple project-based arrangements are possible
- Comb pallet design greatly shortens exchanging time
- Super-high speed lifting system, up to 50m/min
- Pit version is also available
- Turntable is optional on ground floor
- Premium safety ensured by multi safety devices
- Smart operation via ID card



Dimensions



Above ground plan

Underground plan



Parking Platforms



What else you can imagine to complete the puzzle of parking difficulties? Parking platforms become handy in cases when parking is hard to reach. For example, when going vertical is not an option while maximized parking spaces is of necessity, and when entry & exit is hard to accomplish due to insufficient turning radius. In some other scenarios when conventional ramps are not favored due to the concerns of cost, safety and space, parking platforms act as the perfect alternative solution to connect different parking floors.

BDP-1 | a smart slider

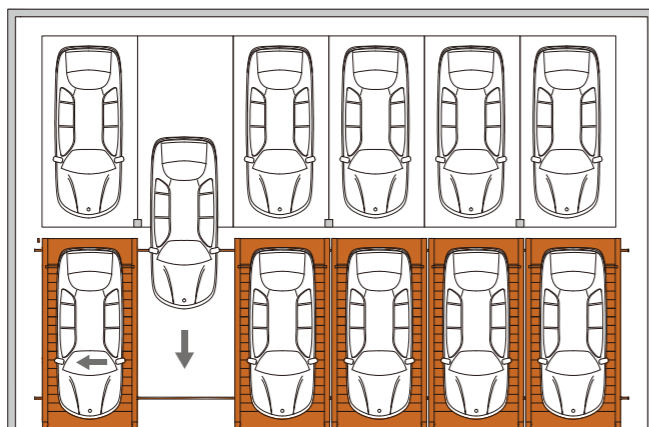
A sliding platform that utilizes every possible space of a parking lot to provide maximum parking spots. By shifting laterally with rails, the platforms help to create additional parking spaces in front of existing spaces, behind columns or in corners. They can be easily controlled by buttons or PLC system (optional) to create path for the space in behind. And multiple rows can be installed front and back to greatly increase the utilization of spaces.

Specification

- For independent parking
- Motorized system with high sliding speed
- Up to 100 % more parking places
- Platform load capacity: 2500kg
- Platform width: 2100mm as standard, and up to 2500mm
- Max 3 row arrangements behind each other
- Lateral protective anti-collision device optional
- Low noise operation
- High level of operational and functional safety
- Fine finishing of powder coating
- Dual-direction access is possible



Dimensions



S-VRC | car elevator on scissors

Obviously a costly concrete ramp with large footprint doesn't meet the modern demands gradually. And a scissor type car elevator could be one of the perfect alternatives featured by small covering area, higher safety, low maintenance, and flexible arrangements. For parking lots or car dealerships where it is impossible to organize an entrance ramp, or when the ramp could lead to risks in the event of snows or bad weather, S-VRC is a lifesaver in solving various tasks of inter-floor movements with loads up to 10 tons. It also comes in handy in warehouse complexes or production facilities for goods loading and unloading.

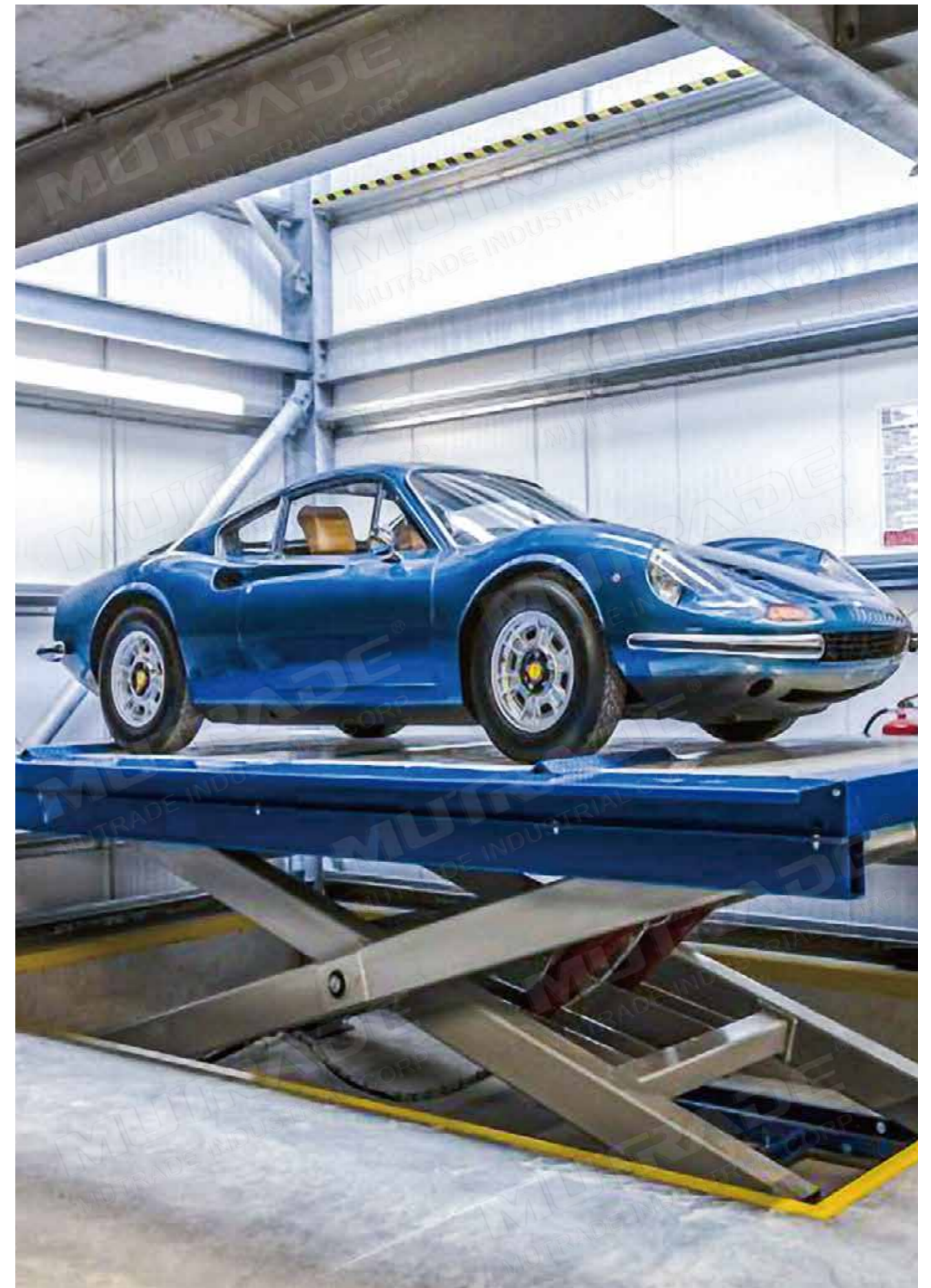
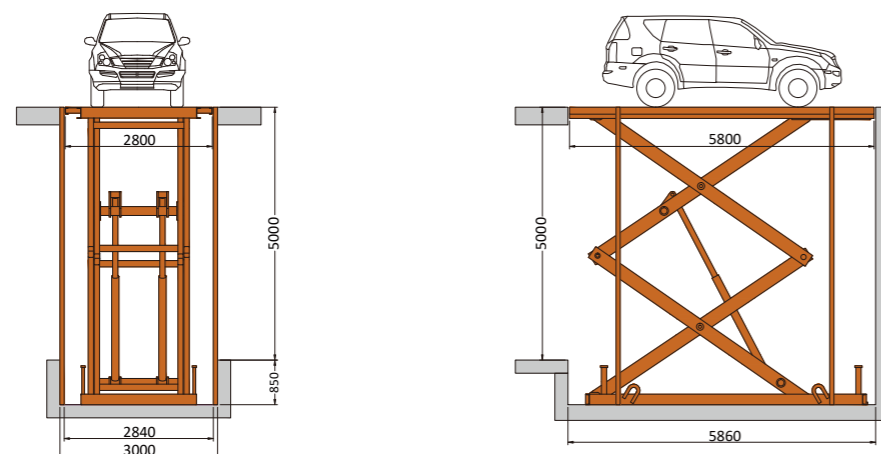
Specification

- Single platform for elevating vehicle/goods only
- Hydraulic, dual cylinders
- Platform load capacity: up to 10,000kg
- Platform size: up to 6,000mm long, and 5,000mm wide
- Multiple stops possible, with max travel 13.0m
- Can be called on all stopping floors
- Completely invisible after descend to bottom
- Foundation pit is required on all conditions
- Premium safety and simple operation
- Pre-assembled structure, easy to install
- Fine finishing of powder coating
- Remote control is optional



Dimensions

* The dimensions are for reference only



S-VRC-2 | in harmony with the surrounding

The rapid growth in the number of cars causes shortage of parking spaces, making traffic difficult and worsening the quality of living environment. S-VRC-2 is one of the systems that could perfectly solve the issue. It's dual functional, acting as a parking lift to stack 1 vehicle on top of another; or an elevator to transport vehicles between ground and basement parking floor. Either way, when it folds down, the top platform goes totally invisible and can be covered with suitable pavement to give a sense of order and elegance.

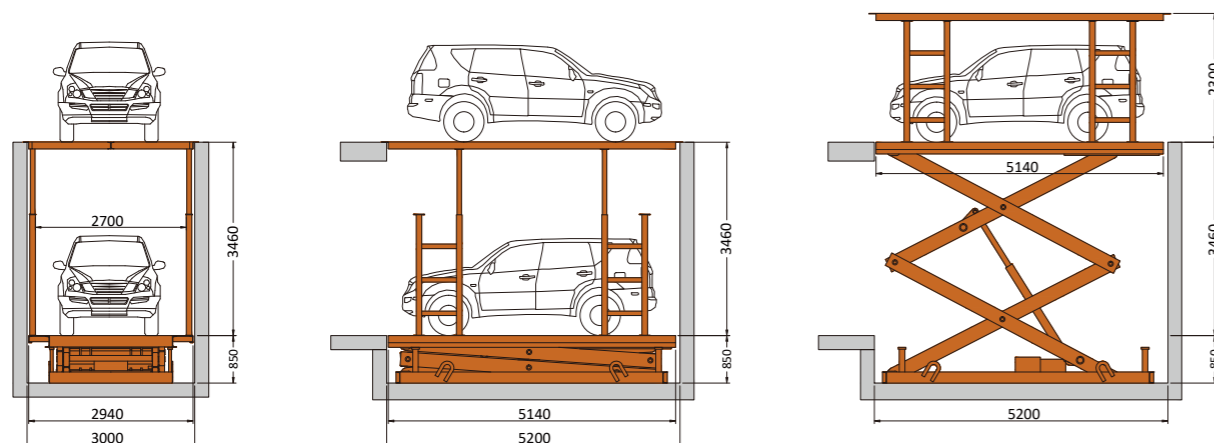
Specification

- Dual functions, independent parking or car transportation
- Possible to décor the top platform and make it disappear
- Optional to lift 2 cars up together
- Overall lifting capacity: up to 6000kg
- Platform size: up to 6000mm long, and 5000mm wide
- Foundation pit is required on all conditions
- Premium safety and simple operation
- Half pre-assembled structure, easy to install
- Fine finishing of powder coating
- Remote control is optional
- Max triple platforms are possible



Dimensions

* The dimensions are for reference only



FP-VRC | car elevator in four posts

Need the most cost-effective solution to move vehicles from one floor to another? FP-VRC is one of such solutions to connect different floors, particularly when heavy construction is to be avoided. It's unique structure of four posts makes it self-supporting and totally feasible to stand directly on ground; or making a small pit of 200mm depth to have easier and comfort access at the entry level. It's highly customizable in dimensions, capacity and travel to accommodate various vehicles and different project demands.

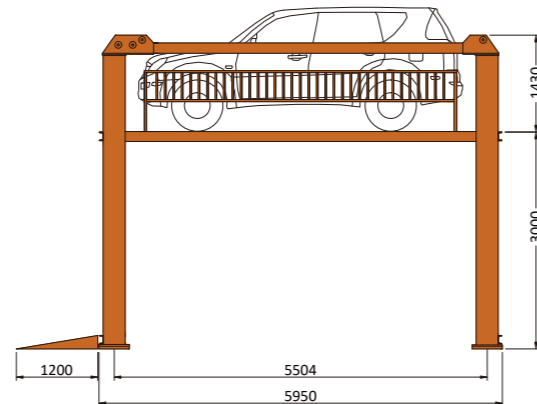
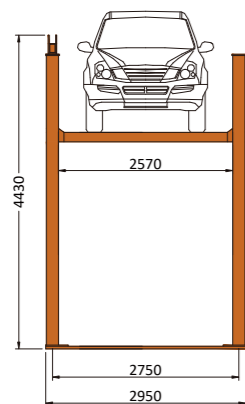
Specification

- For elevating vehicle/goods only
- Superior double-chains lifting system with hydraulic cylinder
- Platform load capacity: up to 6,000kg
- Platform size: up to 7,000mm long, and 5,000mm wide
- Multiple stops possible, with max travel 13.0m
- Can be called on all stopping floors
- Optional to stand on ground or pit-installed
- Power pack can be relocated
- Premium safety and simple operation
- Remote control is optional



Dimensions

* The dimensions are for reference only



CTT | aesthetic and comfort

Turn to aesthetic and convenience with Mutrade car turntable. The CTT can be multi-functional, designed either to give more freedom to parking when driving forward is hard to reach, or show you the best angle that makes your vehicle sparkling. Dimensions and loading capacity can be tailor made to meet the demand best and accommodate various vehicles. It's an ideal solution where turning radius is tight, so the driver can enter or exit without difficult maneuvers and time consuming. It can also be ideal for car exhibition and photography. Remote control is optional to give more convenience and efficiency.

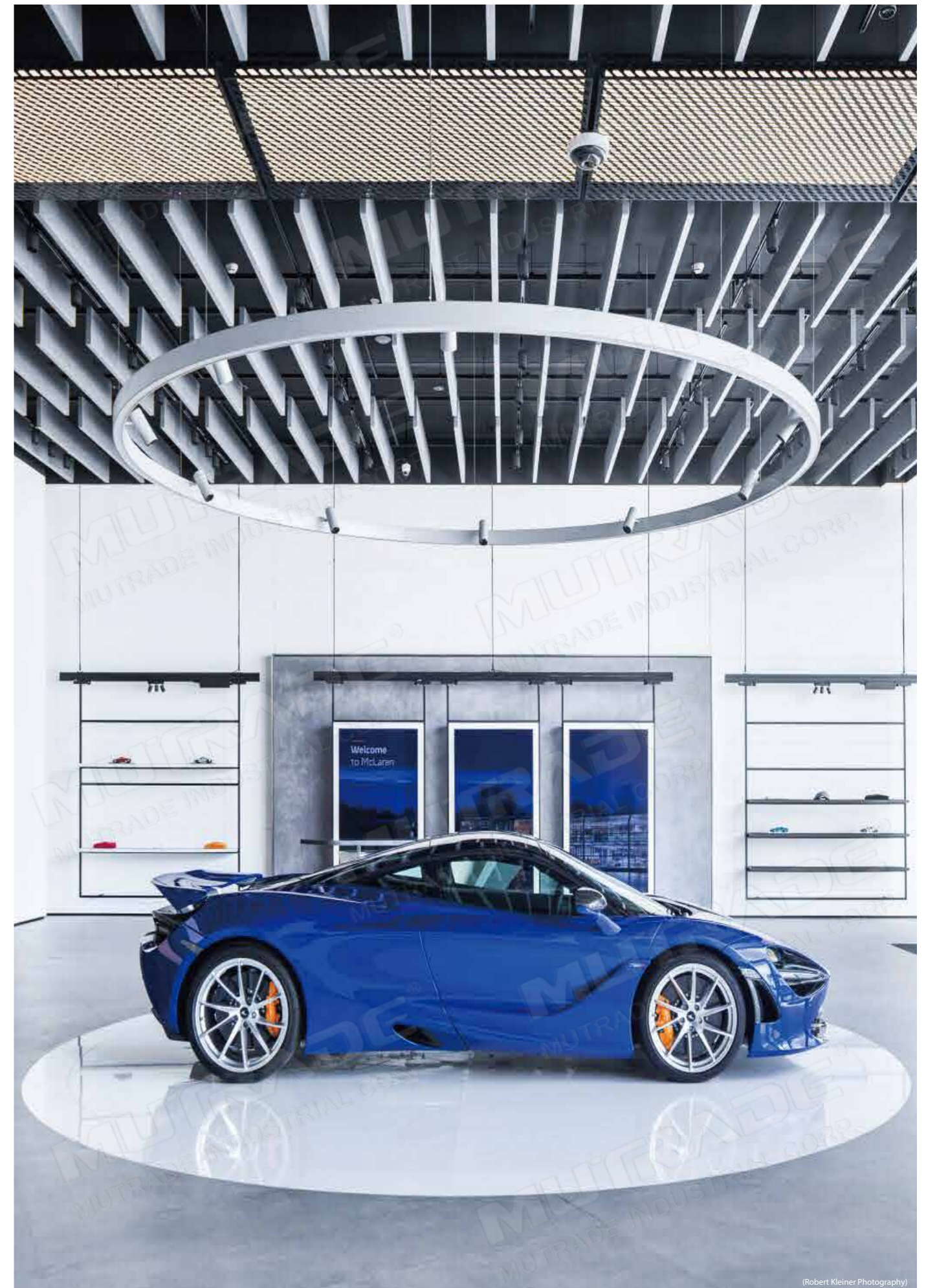
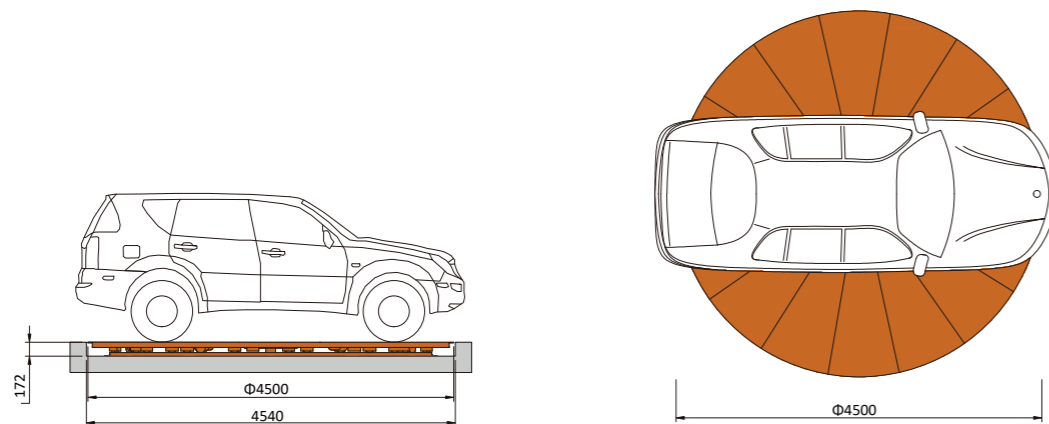
Specification

- For both limited access & car photography purposes
- 360-degree rotation, clockwise and anti-clockwise
- Optional to install on ground or in pit
- Load capacity: up to 10.0 tons
- Platform diameter: upon request
- Thin platform design: min. 140mm high
- Speed adjustable from 0-1rpm
- Simplified structural design, easy to install
- Remote control included
- A variety of surface options
- Surrounding ramp is optional for ground install



Dimensions

* The dimensions are for reference only



(Robert Kleiner Photography)



Apartment Buildings



Prefabricated Steel Garage



Residential & Commercial Buildings



Vintage Car Collections



Vehicle Transportation



Private Houses



Car Dealerships

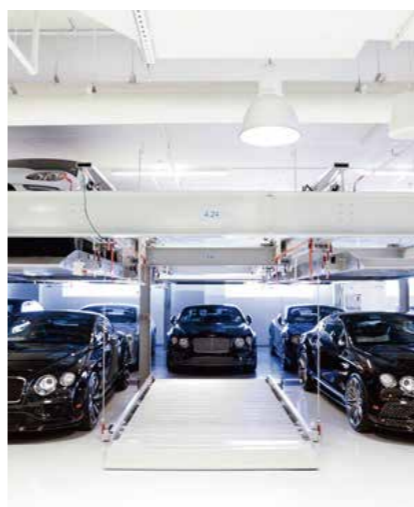


Massive Warehouses



GLOBAL
CASES
EXHIBITION

UNITED STATES
Manhattan NY
Porsche center



Peru
Lima
Nissan dealership



FRANCE
Paris
Car club



PHILIPPINES
Manila
Suzuki dealership



ROMANIA
Bucharest
Residential building



BANGLADESH
Dhaka
Office building



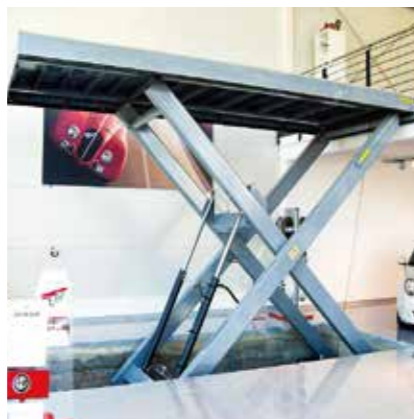
UNITED STATES
New York
Porsche dealership



SWITZERLAND
Bern
Car photography



AUSTRALIA
Sydney
Office building



BULGARIA
Sofia
Residential building



Product Certificates



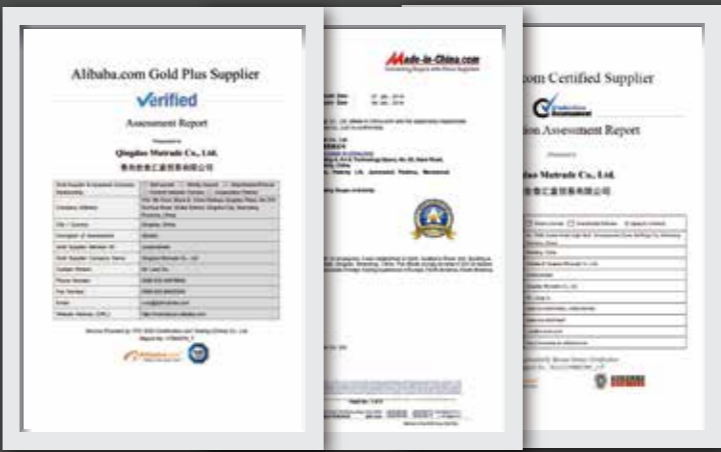
Quality Assurance



Product Patents



Trade Mark



Inspection Reports



Russian Certificate



COMPREHENSIVE

SERVICE & SUPPORT



Plan

By choosing Mutrade parking systems, you get a free project-based solution tailored to your needs.



Manufacture

Every product is made with advanced technologies, highest quality materials and stricter quality control.



Installation

Mutrade offers a variety of flexible, efficient and responsive support programs, e.g., remote instructions, on-site supervision services, or other plans with local partners.



Maintenance

All new products are covered with 5 years structural warranty and 1 year parts warranty. And we are always available 365 days a year, 24 hours a day!